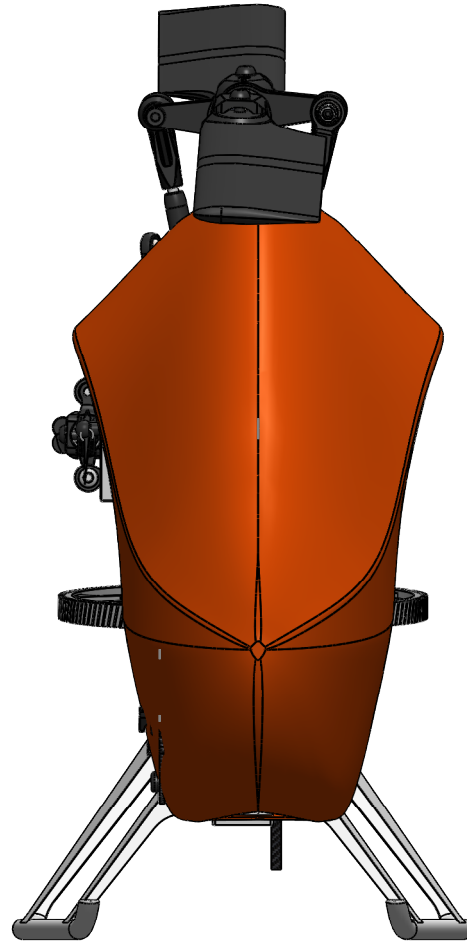


oxy3

ED2018 273

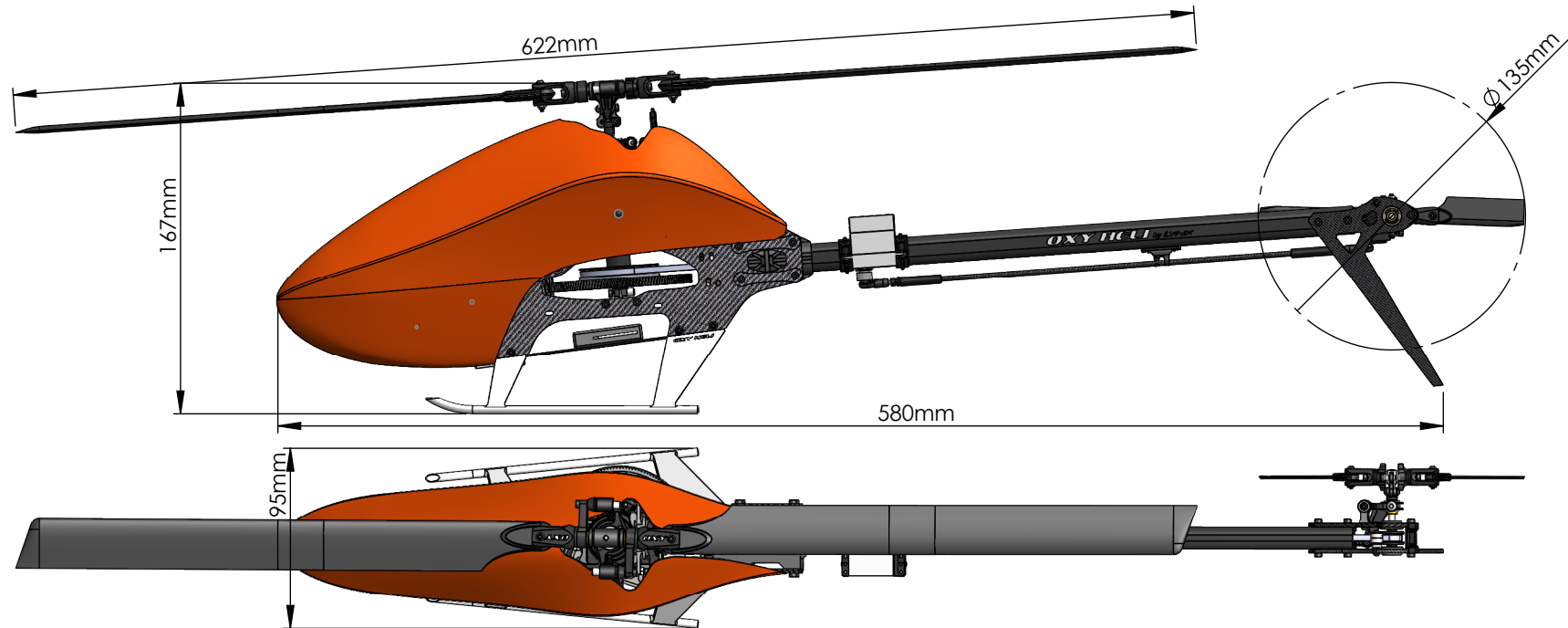
Instruction Manual



Chapter 1 - Specifications	page 2
Chapter 2 - Important Notes	page 3
Chapter 3 - Required Tools for Assembly	page 4
Chapter 4 - What's Inside The Box	page 5 - 6
Chapter 5 - Pinion Selection & RPM	page 7
Chapter 6 - Tail Assembly	page 8 - 13
Chapter 7 - Main Frame Assembly	page 14 - 18
Chapter 8 - Align and Lock Frame Panel	page 19
Chapter 9 - Transmission Assembly	page 20-21
Chapter 10 - Belt Tension & Adjustment	page 22
Chapter 11 - Main Rotor Assembly	page 23-25
Chapter 12 - ESC Installation	page 26
Chapter 13 - Flybarless Installation	page 27
Chapter 14 - Servo & Servo Rod Preparation	page 28
Chapter 15 - Cyclic Servo Installation	page 29
Chapter 16 - Tail Servo Installation	page 30
Chapter 17 - Landing Gear & Battery Installation	page 31
Chapter 18 - Main & Tail Blades Installation	page 31
Chapter 19 - Adjustment Servo with Leveler	page 32-33
Chapter 20 - Canopy Installation	page 34
Chapter 21 - Addendum - FBL Head System.....	page 35
Chapter 22 - Exploded View	page 34-37

VERY IMPORTANT NOTE:

- Visit the Oxy Heli web site www.oxyheli.com to download the latest version of the manual.
- Inside Box 3 you will find your serial number card. Please take a moment to visit the Oxy Heli web site and follow the instructions to register your helicopter and serial number.
- It is important you take few minutes to register your helicopter and serial number with us. This is the only way to be in contact with us to receive news, promotional information and technical tips.
- We will also choose five serial numbers each year that will win a discount coupon worth 200USD each to spend at the Oxy Heli or Lynx Heli web sites.
- Thank you for your purchase, and we wish you the best enjoyment with your new Oxy 4 Helicopter.



-Standard main rotor diameter	:622mm (with 273mm blades).
-Standard main blade length	: 273mm
-Main Grip Clamping	: M2 / 5.6 mm root.
-Standard tail rotor diameter	: 135 mm.
-Standard tail blade length	: 50 mm.
-Tail Blade Clamping	: M2 / 3.5 mm root.
-Weight	: 440g (ready to fly excluding batteries)
-Maximum motor size	: diameter 28mm.
-Maximum battery size	: length 76mm, height 35mm, width 37mm, 170g weight

IMPORTANT NOTE:

This model helicopter has been designed and produced to be a high performance 3D machine. With its simple design and low parts count, pilots of all skill levels will appreciate its easy repairability. This is not a toy. Please take care assembling the model, and take care and responsibility when you fly it. We take no responsibility for any damage or injuries, either direct or consequential, from the use of this product. If you are not experienced in the assembly and flying of a high performance model helicopter we recommend you seek the assistance of an experienced pilot. Above all, fly safely and we hope you enjoy this model.

SAFETY GUIDELINES:

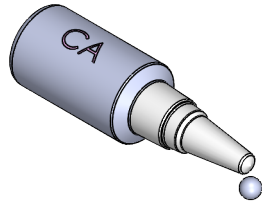
Only fly this model in areas designated for the use of model aircraft. Ensure you obtain indemnity insurance, normally available through your National model aircraft association. Remain at least 6 meters (20 feet) from the model at all times. Never allow spectators or animals any closer than 30 meters (100 feet) from the model.

NOTES FOR ASSEMBLY:

Please read this instruction manual fully before beginning assembly of this model helicopter. Be sure to use quality tools during the assembly process, and remember not to overtighten small fasteners. Note the following symbols which are used in this manual. Use thread lock sparingly where indicated. If you are unsure about an assembly step, please seek the advice of an experienced pilot. Warranty on any parts is only applicable prior to assembly of the part on the model. **NONE OF THE PRE ASSEMBLED PARTS HAVE THREAD LOCK ON THE SCREWS. IS IMPORTANT TO READ AND FOLLOW THE ASSEMBLY NOTES IN EACH STEP. INCORRECT ASSEMBLY OR NOT USING THREAD LOCK WILL CAUSE A CRASH OR INJURY.**



Important note



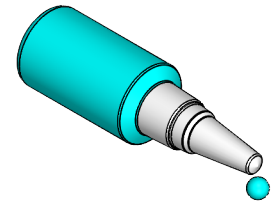
Use CA Glue



Use Loctite 243 Medium Strength



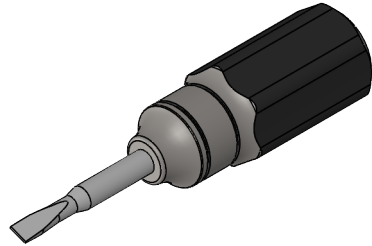
Use Loctite 648 Bonding



Use Silicone Grease

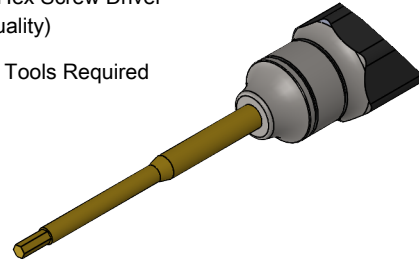
TOOLS REQUIRED

Small Tip - Flat Screw Driver



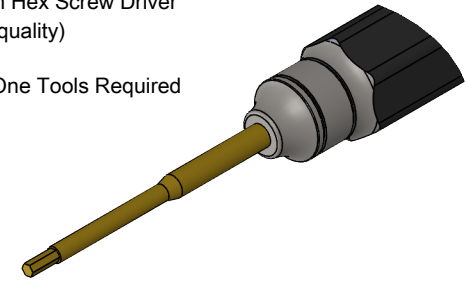
1.5mm Hex Screw Driver
(High quality)

⚠ Two Tools Required

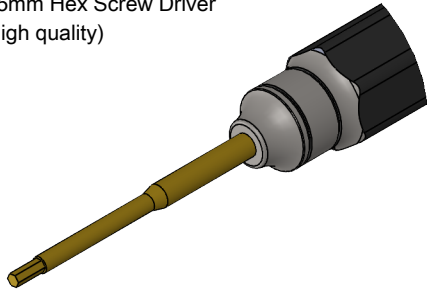


1.3mm Hex Screw Driver
(High quality)

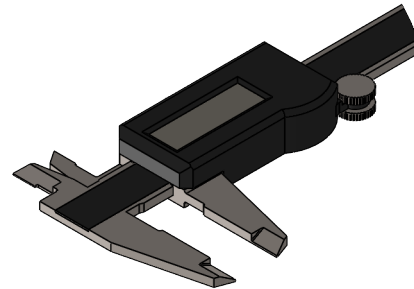
⚠ One Tools Required



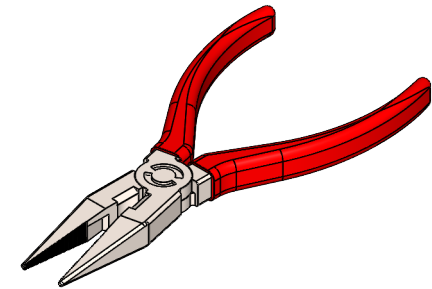
2.5mm Hex Screw Driver
(High quality)



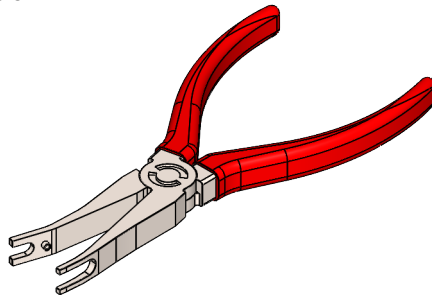
Caliper



Needle Nose Pliers

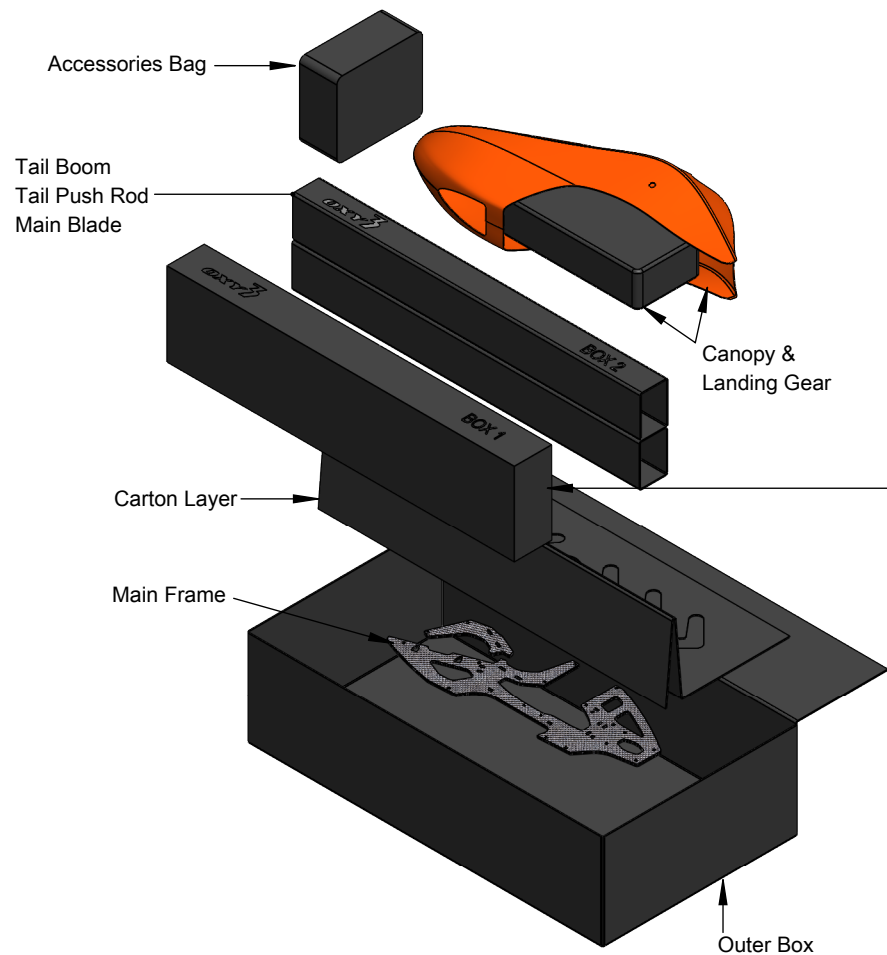


Uniball Pliers



Note :

We recommend high quality steel tools during assembly.
Hex Screw driver in particular must have precise Tip
Hexagonal dimension.



SERIAL NUMBER

- Box 1/ Bag 1 Vertical Fin
- Box 1/ Bag 2 Tail Rotor
- Box 1/ Bag 3 16T Tail Shaft
- Box 1/ Bag 4 Tail Pitch Slider
- Box 1/ Bag 5 Tail Bell Crank
- Box 1/ Bag 6 Tail Belt
- Box 1/ Bag 7 Tail Servo Mount
- Box 1/ Bag 8 Boom Clamp
- Box 1/ Bag 9 Upper Bearing Block
- Box 1/ Bag 10 Middle Bearing Block
- Box 1/ Bag 11 Lower Bearing Block
- Box 1/ Bag 12 Break Away Canopy
- Box 1/ Bag 13 Motor Mount
- Box 1/ Bag 14 Battery Tray
- Box 1/ Bag 15 Main Shaft
- Box 1/ Bag 16 Main Gear
- Box 1/ Bag 17 Main Rotor
- Box 1/ Bag 18 Swash Plate
- Box 1/ Bag 19 Servo Linkage Ball
- Box 1/ Bag 20 Tail Blade

OXY 3 POWER SYSTEM AND HEAD SPEED SET-UP.

In order to choose your best Oxy 3 set up, and optimize performance, it is important to know some important information:

1- Motor Kv - (EOX 2214 - 4100 KV Standard Motor)

2- Battery Pack - (3s or 4s)

3- Your target Head Speed

If you use a head speed calculator that request main gear ratios, use 140 T for the main gear and select one of the pinion available

10T - 11T - 12T - 13T - 14T - 15T - (Standard Kit come with two pinions 11T and 14T, that ensures a Head Speed Range with 3 and 4S suitable from Novice to Expert Pilot requests.

OXY P/N	Description	Ratio	Note
SP-OXY3-039	OXY3 - Pinion 10T - Shaft 3.17	14.00	
SP-OXY3-040	OXY3 - Pinion 11T - Shaft 3.17	12.73	Included
OSP-1086	OXY4 Pinion 12T - 3.17mm Motor Shaft	11.67	
OSP-1091	OXY4 Pinion 13T - 3.17mm Motor Shaft	10.77	
OSP-1065	OXY4 Pinion 14T - 3.17mm Motor Shaft	10.00	Included
OSP-1088	OXY4 Pinion 15T - 3.17mm Motor Shaft	9.33	

Fly Style	Head Speed	Main Blade	Tail Blade	Max Pitch
Hover	2500/3000	273	50	10/-3
Fly 2D	3000/3500	273	50	10/-5
Soft 3D	3000/3500	273	50	+/-12
Hard 3D	3500/4000	273	50	+/-14
Extreme 3D	4000/4500	273	50	+/-14

Head Speed Note: Although Oxy 3 can handle very high Head Speed, we suggest don't exceed 4500 RPM to maintain a good compromise btw performances and efficiency.

Configuration examples

Since the Oxy 3 is a high performance 3D RC helicopter, we suggest using high quality power components including motor, battery and ESC. Remember the Oxy 3 is a 300 class heli - use light components to maximize flight time and performance. Here are some suggestions:

- Motor: Suggested KV 3000KV to 4500KV, 21-08 to 22-14 caliber series (stator diameter - stator length).

- Battery: 3 or 4S with capacity from 1300 to 1500mAh / 35C discharge rate. Maximum size: length 76mm, height 35mm, width 37mm, weight 180g.

- ESC: 35 to 40A - with BEC 6V or higher. Or use an external 5A BEC. The Oxy 3 Kit 002 comes with a 40A ESC, preset with 6V BEC and settings for the EOX 2214-4100KV motor.

- Cyclic servos: Standard MICRO size servo with metal gear - speed: =>0.06 sec/60 at 6V.

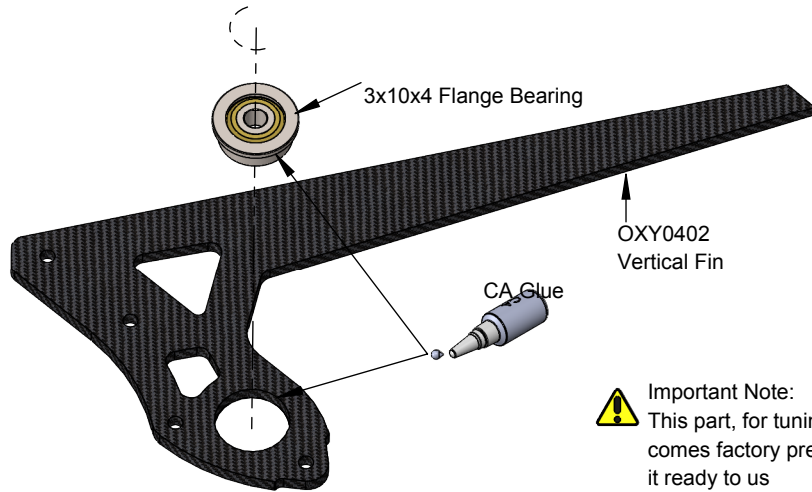
- Rudder servo: Standard MICRO size servo - speed =>0.06 sec/60 at 6V - a specific rudder servo is suggested for best tail authority.

- FBL system: The Oxy 3 was designed around the Ikon / Brain and Mini V-Bar Systems. But many other good quality FBL systems can be used, depending on your personal choice.

- Main blade: The Oxy 3 can fly with plastic or CF main blades from 245 to 255mm. Our testing was with Lynx 245mm plastic main blades, and Zeal 250mm and 255mm CF main blades. The Oxy 3 main grips use M2 clamp screw and have a 5.6mm root.

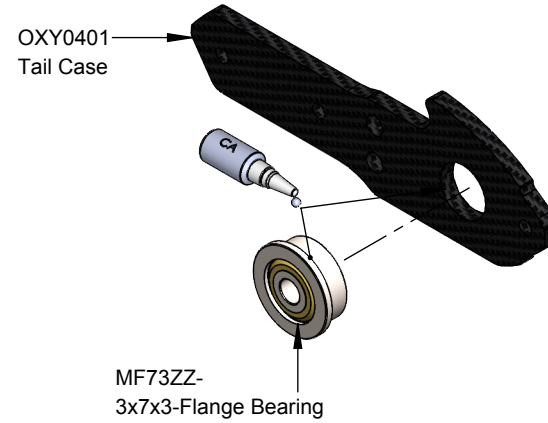
- Tail blades: The Oxy 3 uses our own OEM tail blades, either 47 or 50mm (included with the kit). They use a M2 clamp screw and 3.5 root. We offer 47 and 50mm tail blades to suit different head speeds. Use 50mm tail blades when your head speed is lower than 3500rpm and 47mm with higher head speeds.

Vertical Fin Assembly
(Box1/Bag1)



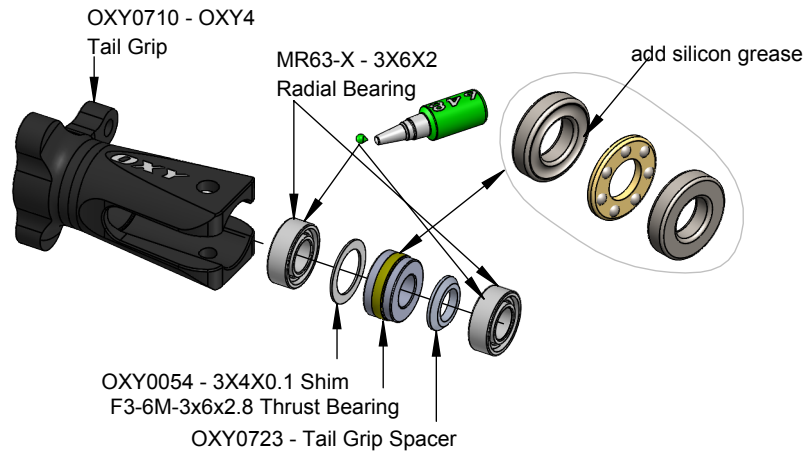
⚠ Important Note:
This part, for tuning reasons, comes factory pre assembled, it ready to us

Tail Case Assembly
(Box1/Bag1)



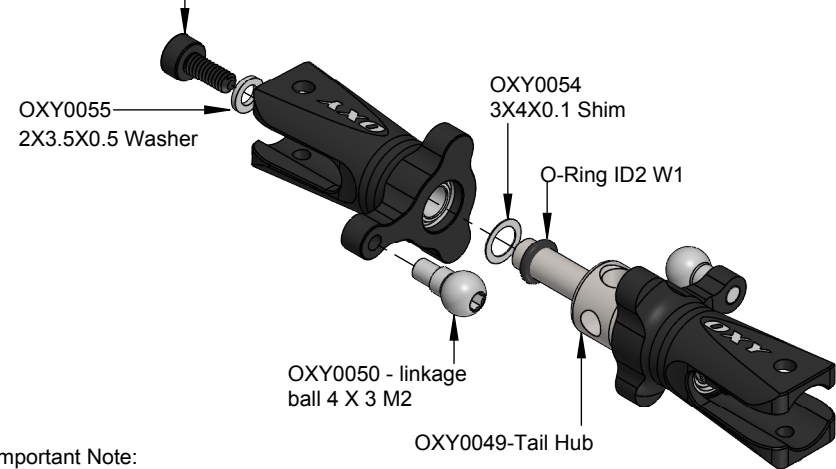
⚠ Important Note:
This part, for tuning reasons, comes factory pre assembled, it ready to us

Tail Rotor Assembly
(Box1/Bag2)



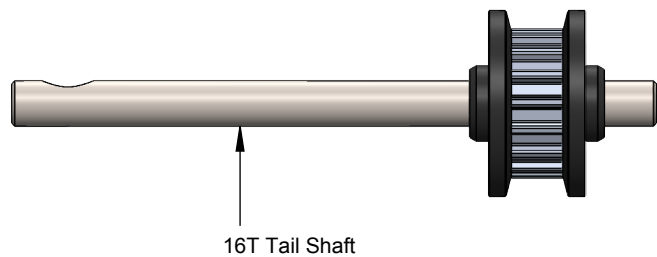
⚠ Important Note:
This part, for tuning reasons, comes factory pre assembled, it ready to us

TCEM2X5 - M2X5 Hex Cap Screw



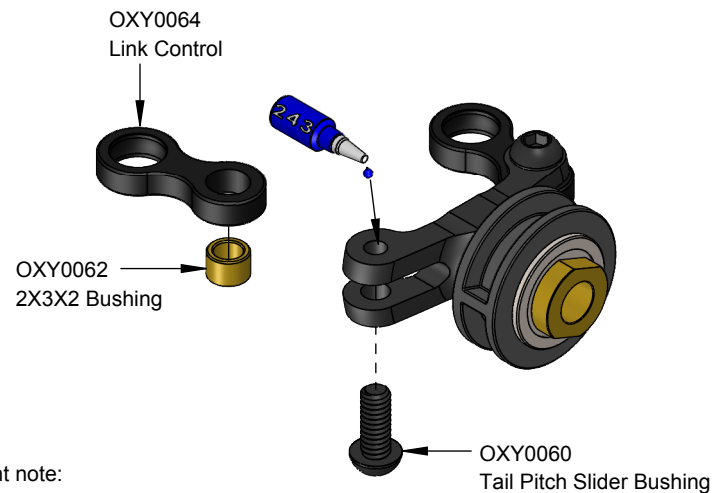
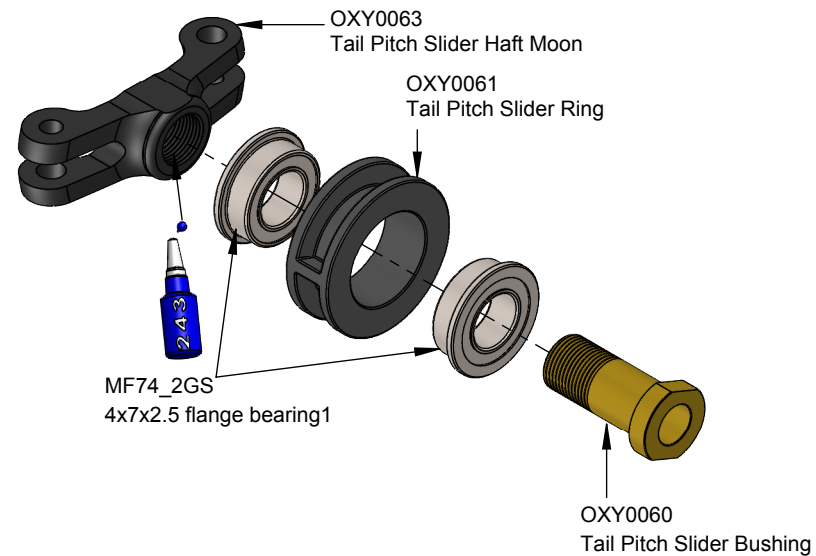
⚠ Important Note:
This part comes pre assembled WITHOUT thread lock. It MUST be re-assembled with thread lock as shown.

Tail Shaft Assembly (Box1/Bag3)



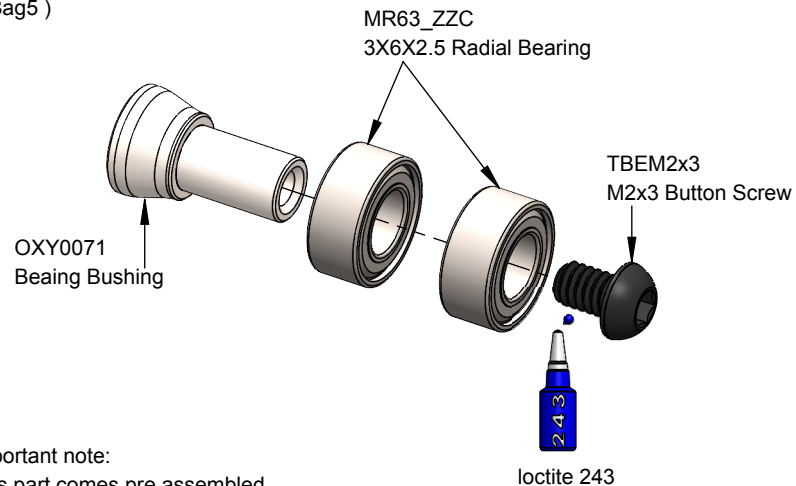
⚠ Important Note:
This part, for tuning reasons,
comes factory pre assembled,
it ready to use.

Tail Pitch Slider Assembly (Box1/Bag4)



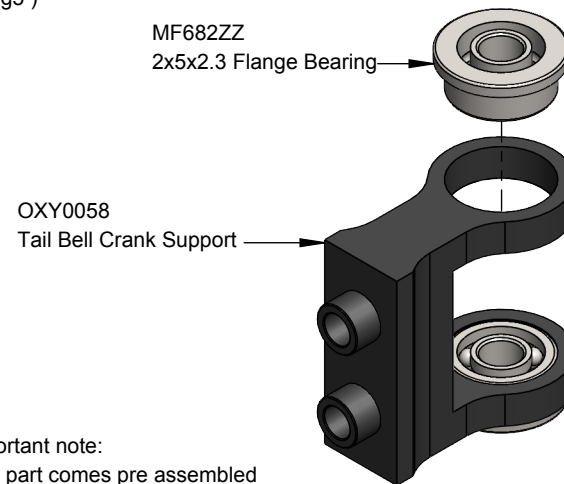
⚠ Important note:
This part comes pre assembled
WITHOUT thread lock. It MUST be
re-assembled with thread lock as shown.

Tail Belt Tensioner Assembly
(Box1/Bag5)



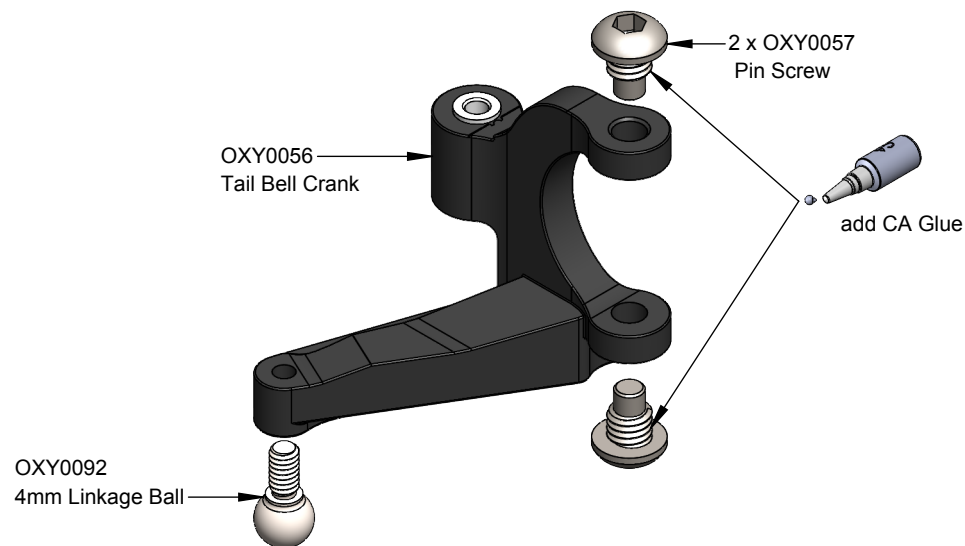
⚠ Important note:
This part comes pre assembled WITHOUT thread lock. It MUST be re-assembled with thread lock as shown.

Tail Belt Crank Support Assembly
(Box1/Bag5)



⚠ Important note:
This part comes pre assembled WITHOUT thread lock. It MUST be re-assembled with thread lock as shown.

Tail Belt Crank Assembly
(Box1/Bag5)

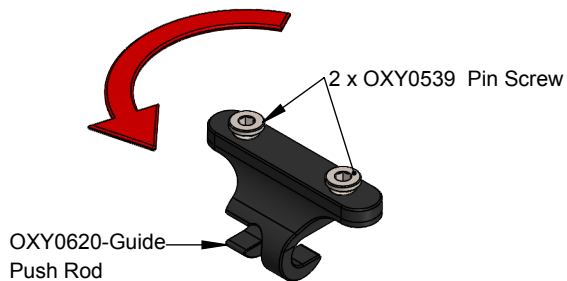


⚠ Important note:
This part comes pre assembled WITHOUT thread lock. It MUST be re-assembled with thread lock as shown.



Step 1: Note: to install this pin screw rotate counter clock wire

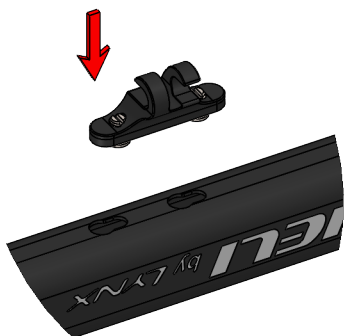
Note Pin Screw Thread: Oxy designed the Pin Screw with a counter clockwise thread. This will help on the final locking operation. Be careful to follow our instructions to get a perfect assembly



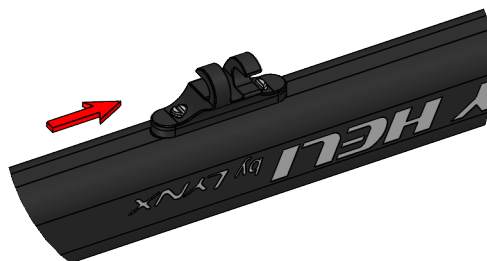
Step 2:

Note: Install the Pin Screw and leave a gap as shown.

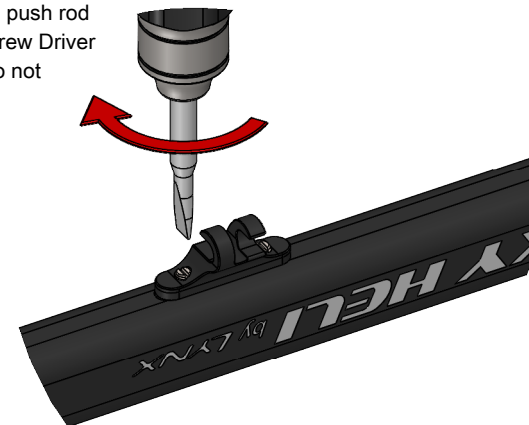
Step 3: Push the part inside the boom sockets as shown



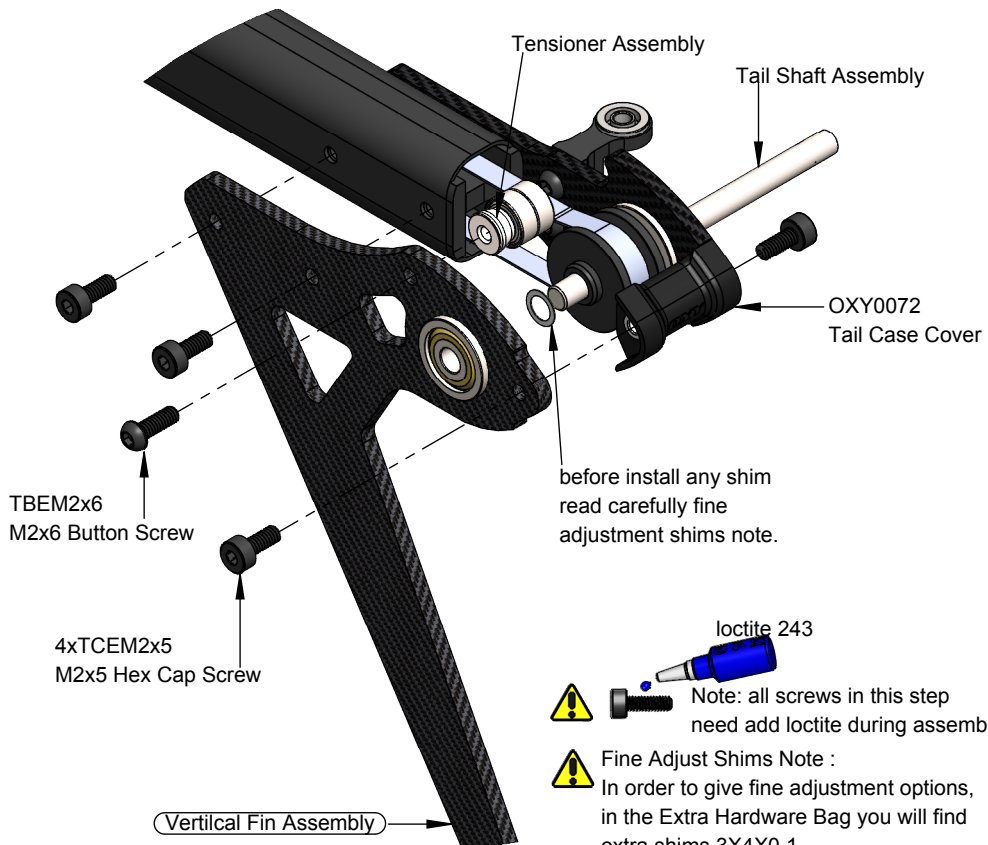
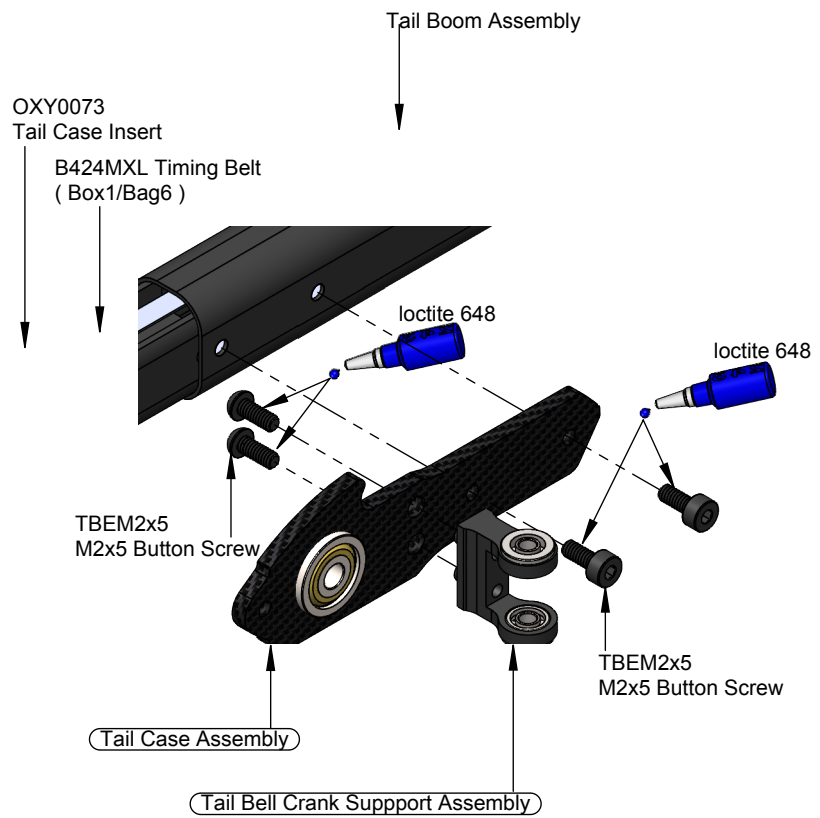
Step 4: Push the part inside the boom sockets as shown






Step 5: In order to lock the tail push rod support, use a Flat Screw Driver and turn clockwise. Do not over tighten.

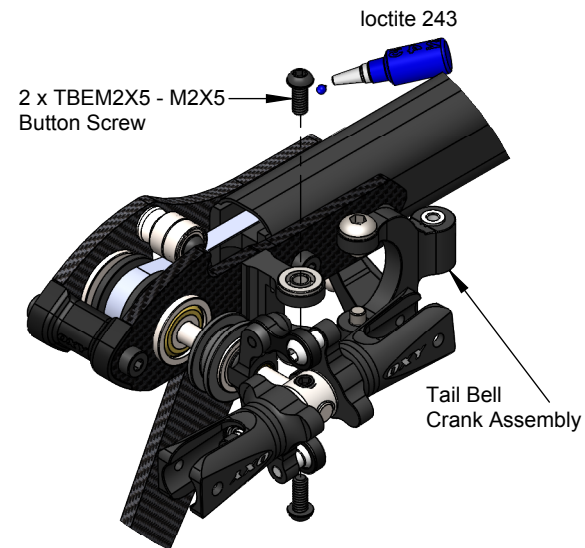
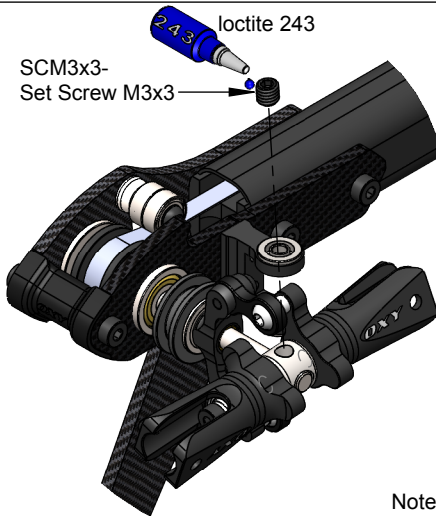
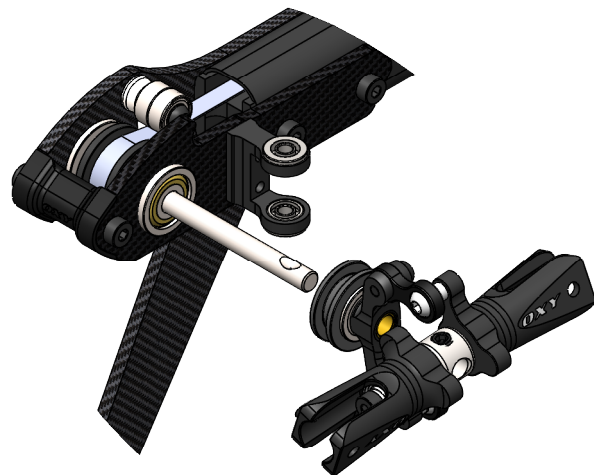


Important Note: This part, for tuning reasons, comes factory pre assembly, it ready to use

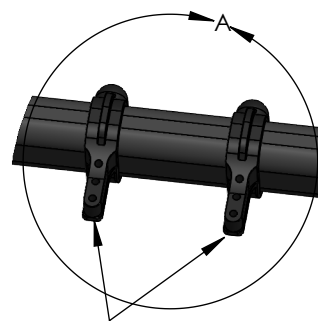


  Note: all screws in this step need add loctite during assembly.

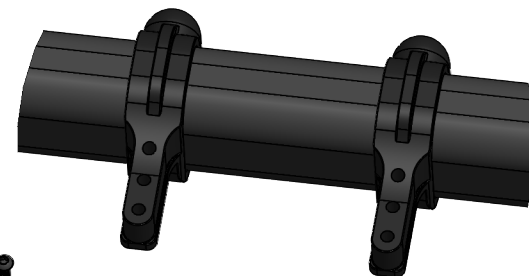
 **Fine Adjust Shims Note :**
 In order to give fine adjustment options, in the Extra Hardware Bag you will find extra shims 3X4X0.1. Start assembly WITHOUT any shims. If Tail Shaft has sideways play more than 0.2mm, add shims as required, to one side, as shown. PRO TIPS: For best Tail performances little side play is recommended.



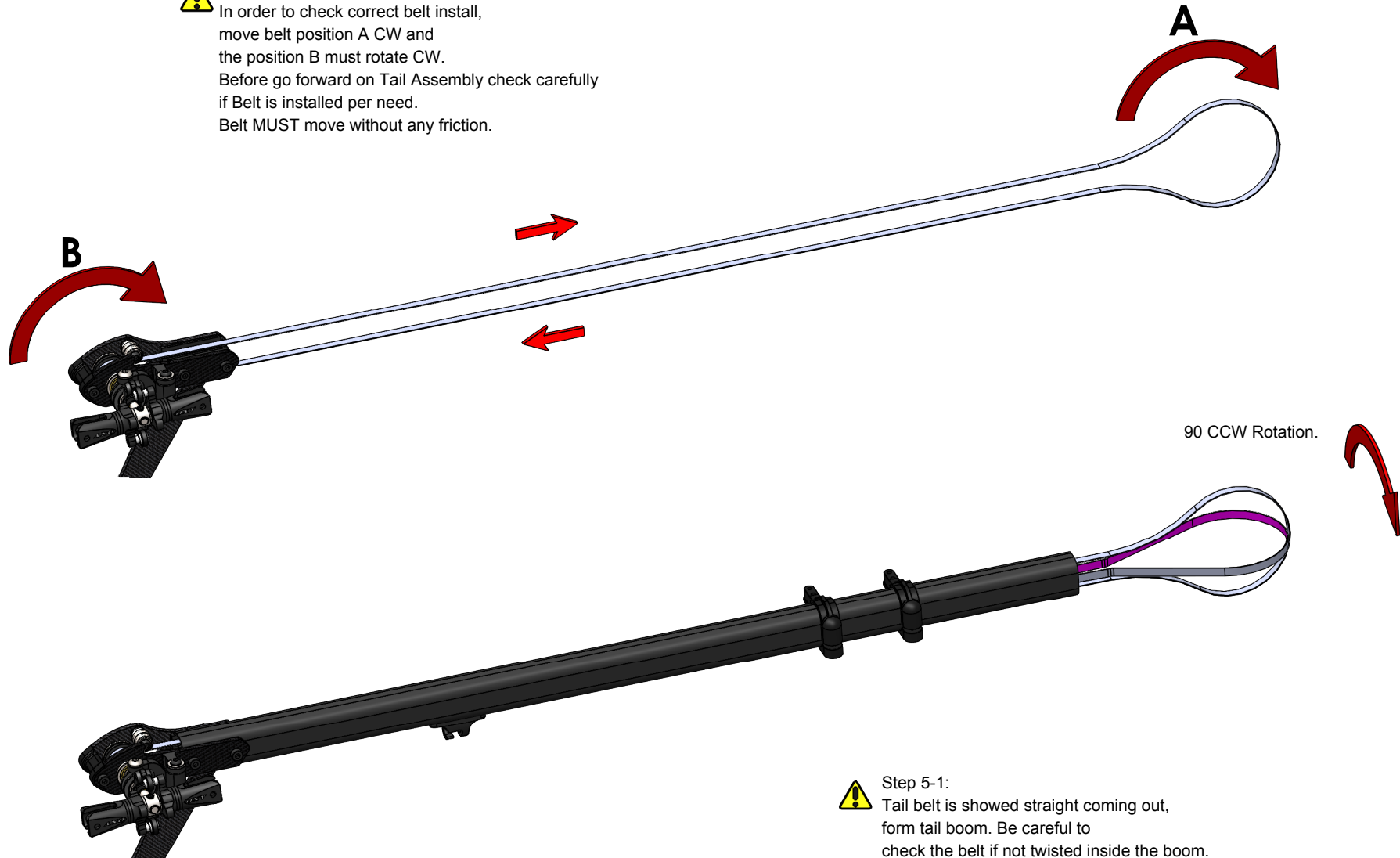
Note: Line up the holes, so the set screw seats correctly into tail shaft lock hole.



OXY0066
Tail Servo Mount
(Box1/Bag7)

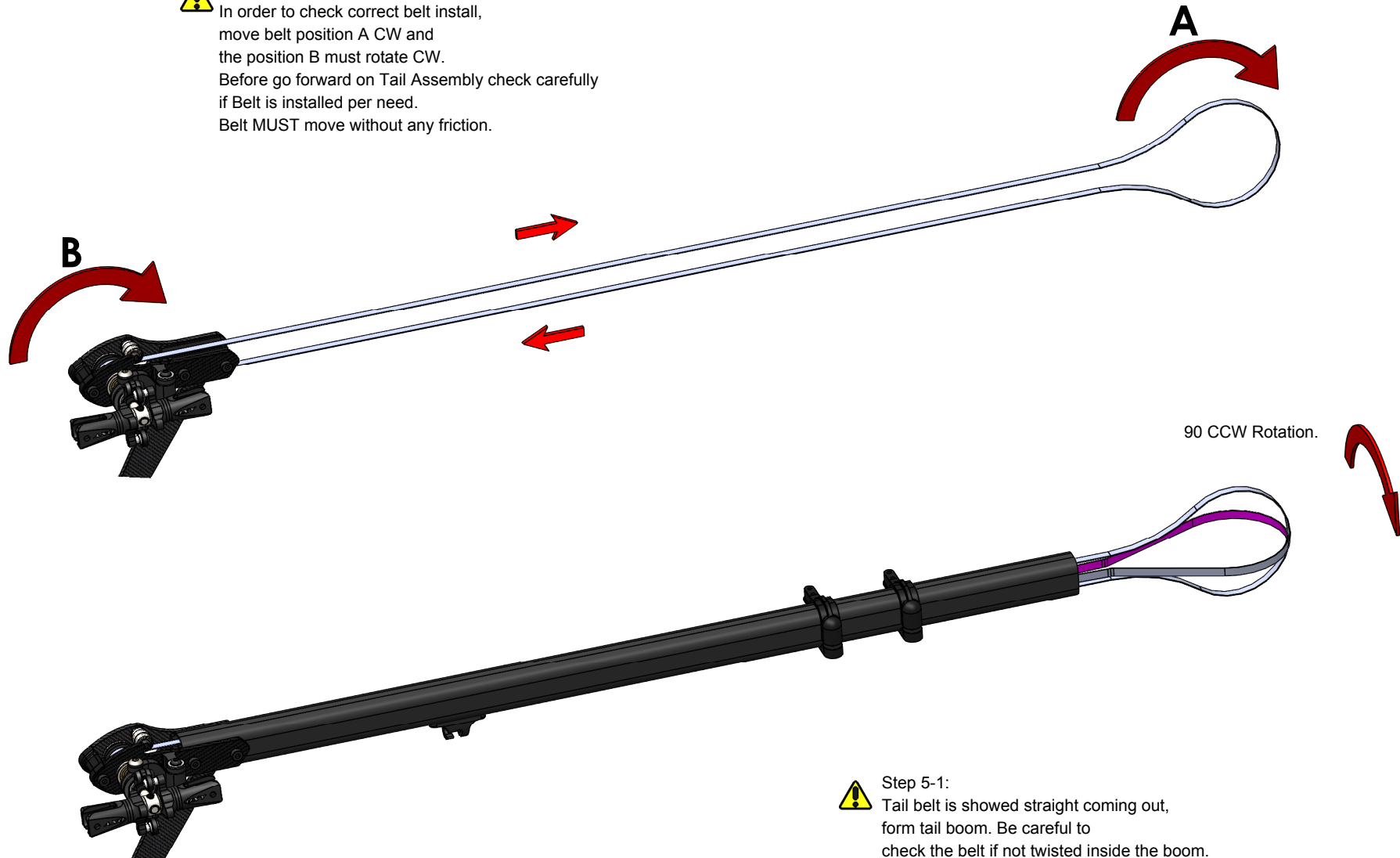


⚠ TAIL BELT ASSEMBLY AND DIRECTION CHEK:
 In order to check correct belt install,
 move belt position A CW and
 the position B must rotate CW.
 Before go forward on Tail Assembly check carefully
 if Belt is installed per need.
 Belt MUST move without any friction.



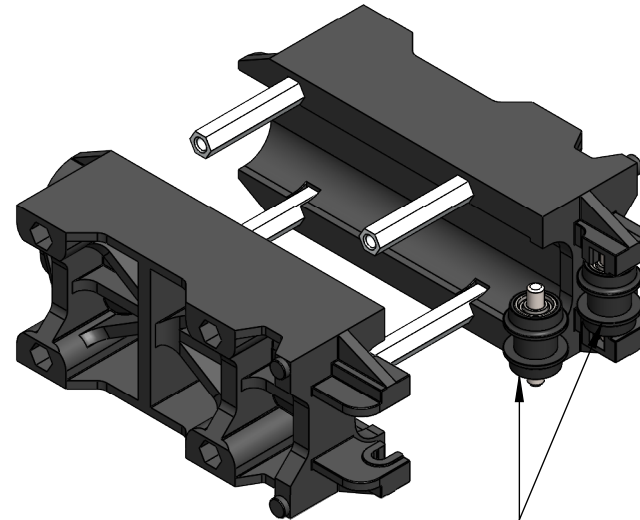
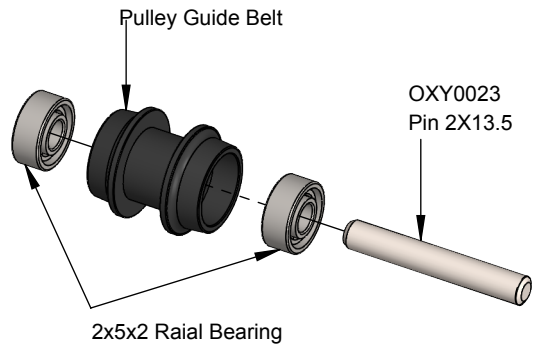
⚠ Step 5-1:
 Tail belt is showed straight coming out,
 form tail boom. Be careful to
 check the belt if not twisted inside the boom.
 Use a flashlight to check inside the boom, for better vision.
 Rotate the belt 90 degrees CCW as shown.

⚠ TAIL BELT ASSEMBLY AND DIRECTION CHEK:
 In order to check correct belt install,
 move belt position A CW and
 the position B must rotate CW.
 Before go forward on Tail Assembly check carefully
 if Belt is installed per need.
 Belt MUST move without any friction.



⚠ Step 5-1:
 Tail belt is showed straight coming out,
 form tail boom. Be careful to
 check the belt if not twisted inside the boom.
 Use a flashlight to check inside the boom, for better vision.
 Rotate the belt 90 degrees CCW as shown.

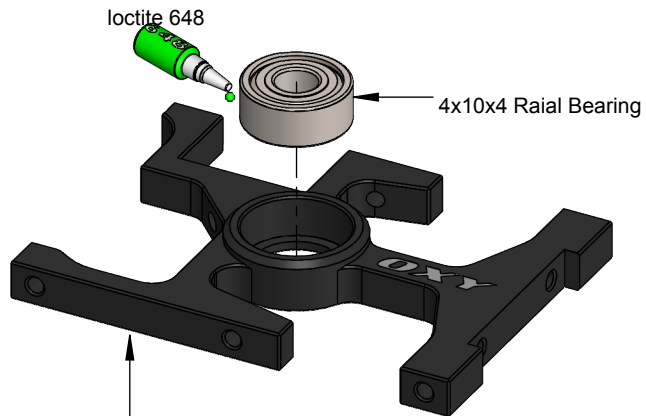
Boom Clamp Assembly
(Box1/Bag 8)



2 x Pulley Guide Belt Assembly

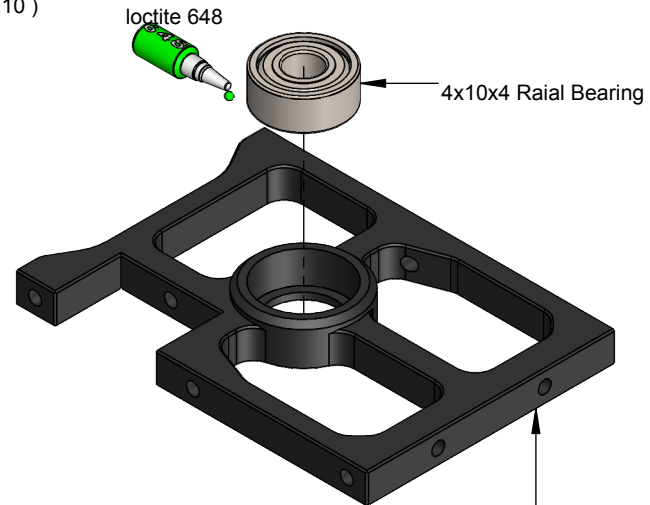
Install the Pins into the Pulley Guides and press completely into the Tail Boom Clamp Socket Lips

Upper Bearing Block Assembly
(Box1/Bag 9)



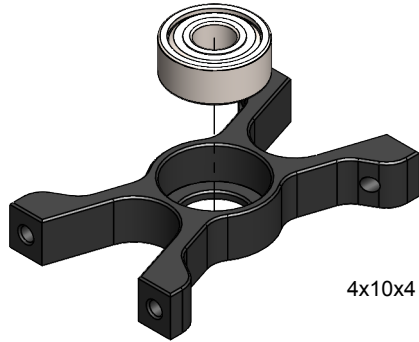
OXY0026-Upper Main Shaft Bearing Block

Middle Bearing Block Assembly
(Box1/Bag 10)



OXY0027-Middle Main Shaft Bearing Block

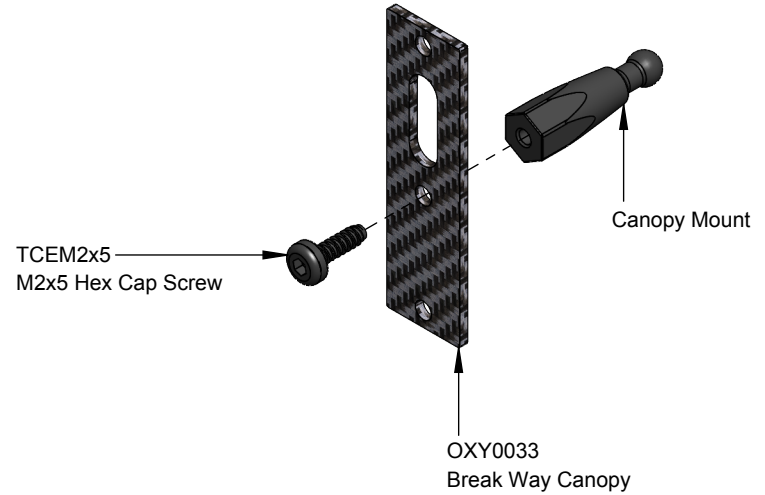
Lower Main Shaft Bearing Block
(Box1/Bag 11)



4x10x4 Radial Bearing

OXY0083-Lower Main Shaft Bearing Block

Break Away Canopy Assembly
(Box1/Bag 12)

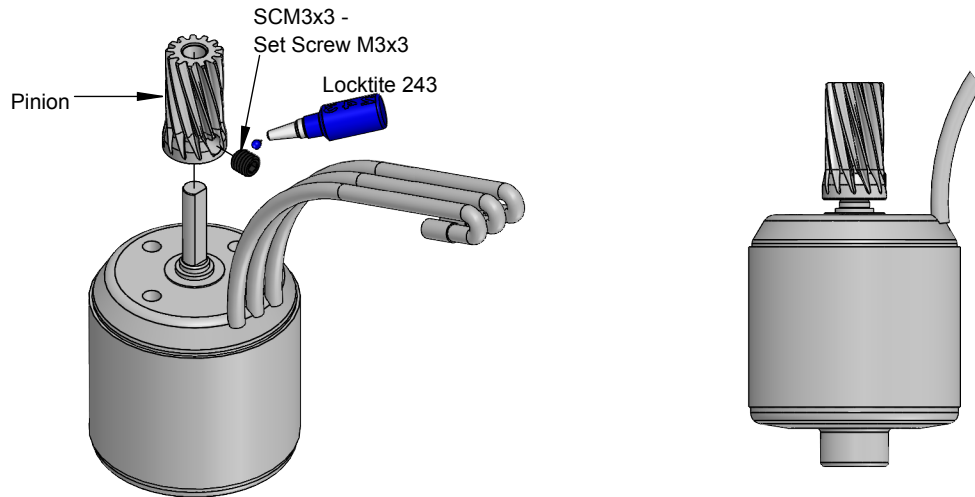


TCEM2x5
M2x5 Hex Cap Screw

Canopy Mount

OXY0033
Break Way Canopy

Motor Assembly
(Box1/Bag 13)

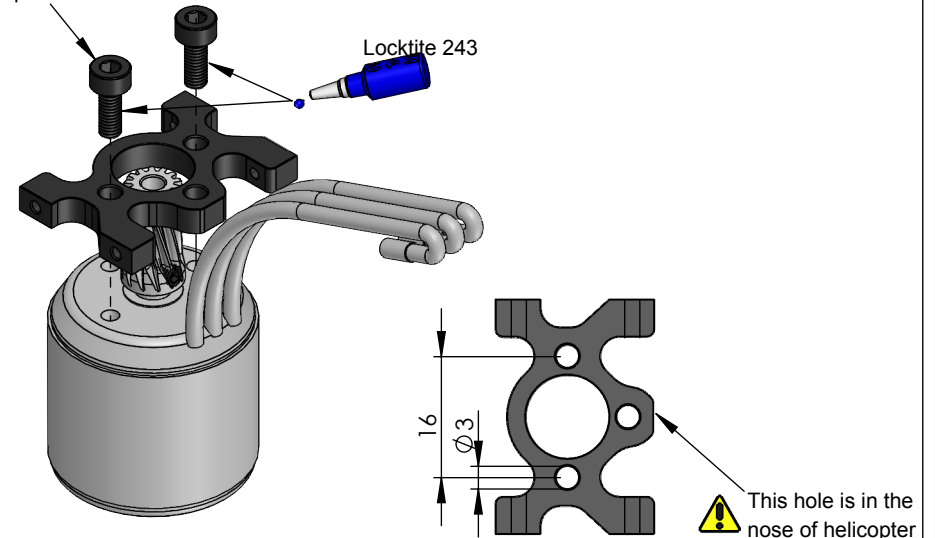


SCM3x3 -
Set Screw M3x3

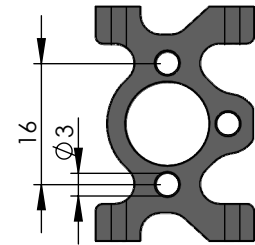
Locktite 243

Pinion

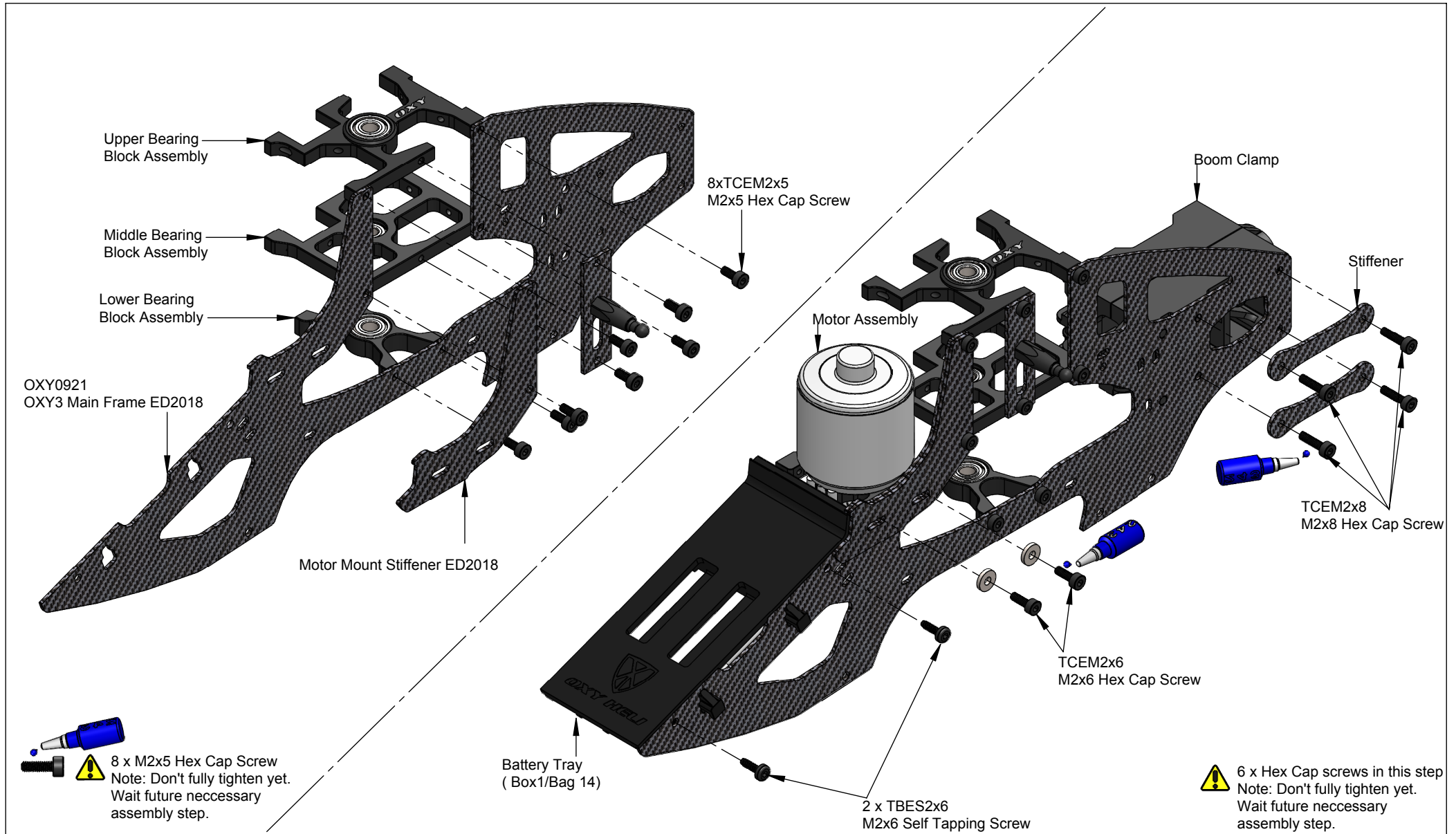
TCEM3x8
M3x8 Hex Cap Screw

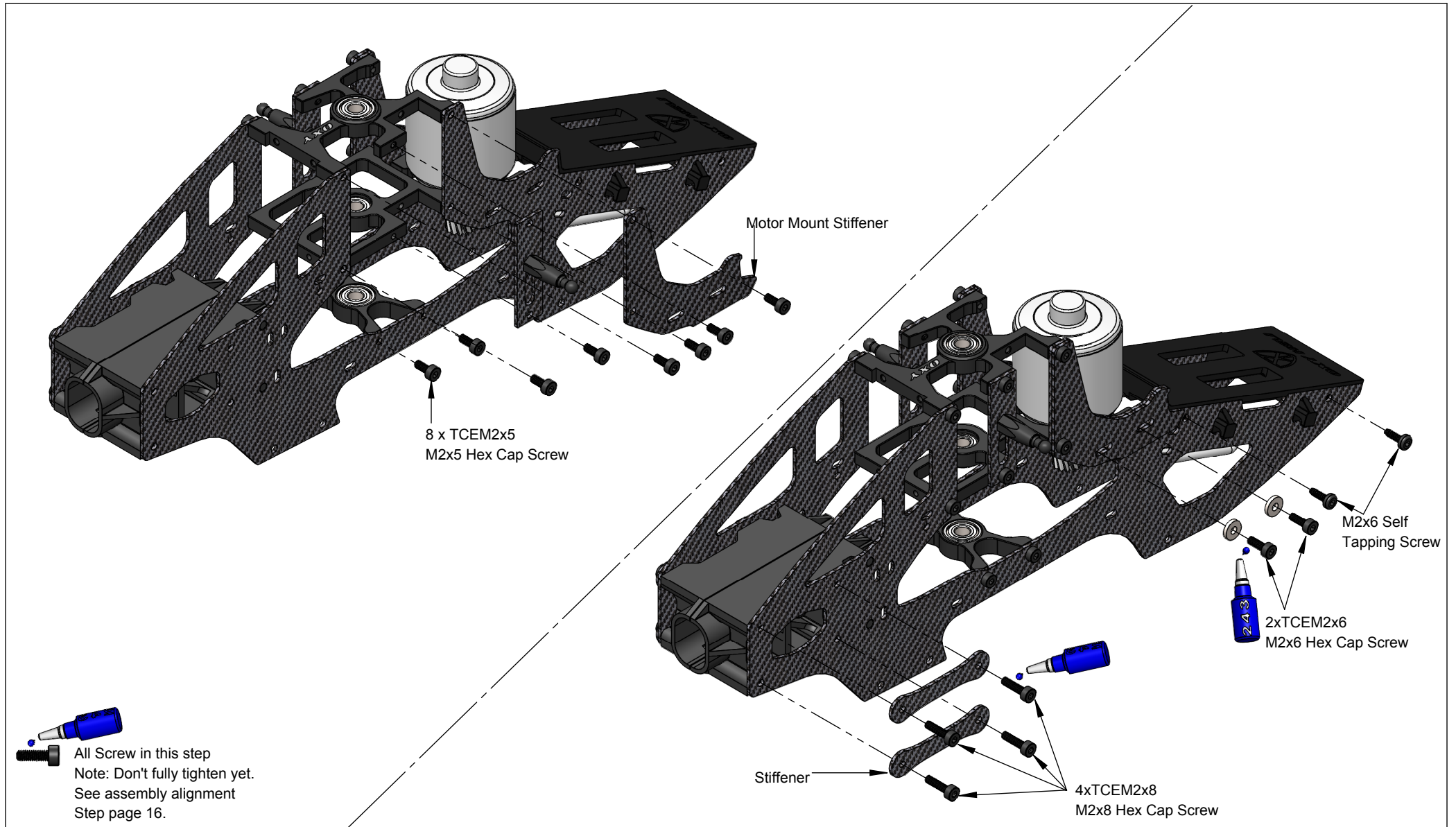



Locktite 243

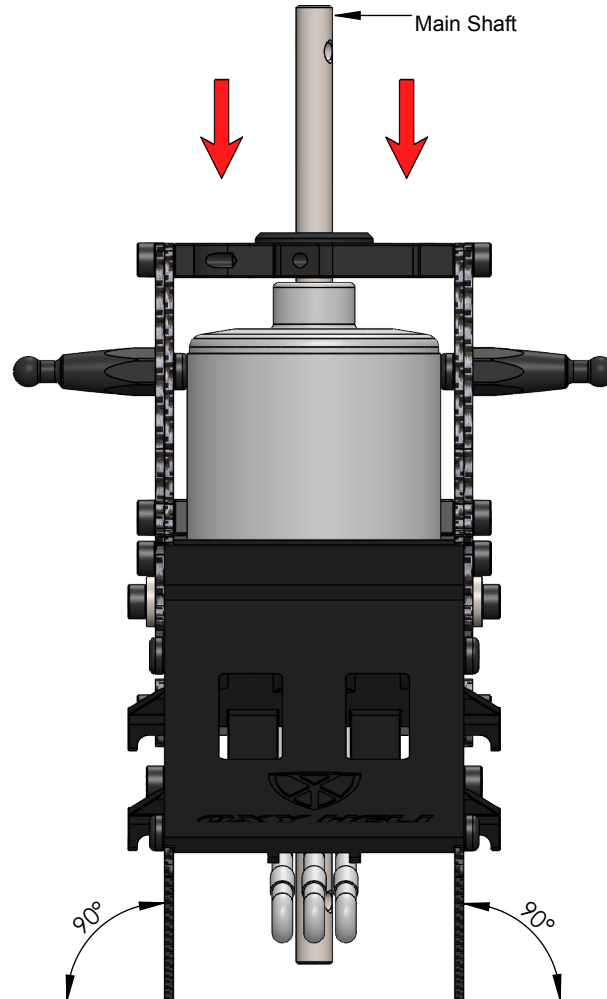


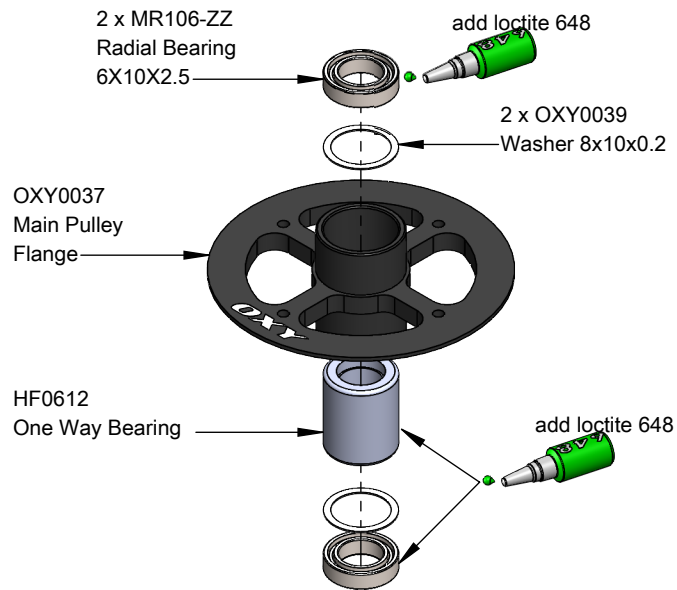
This hole is in the nose of helicopter




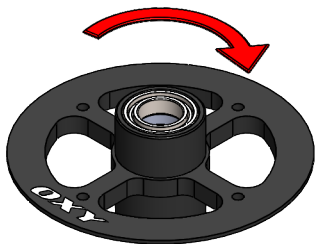



 Install main shaft with frame assembly on a flat surface, push down on both frames together and then fully tighten all M2 Hex Cap Screws (x16) holding the bearing blocks.





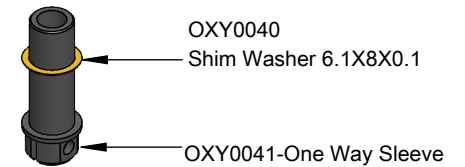
 Note: use one way sleeve to check the rotation direction of the one way bearing as shown

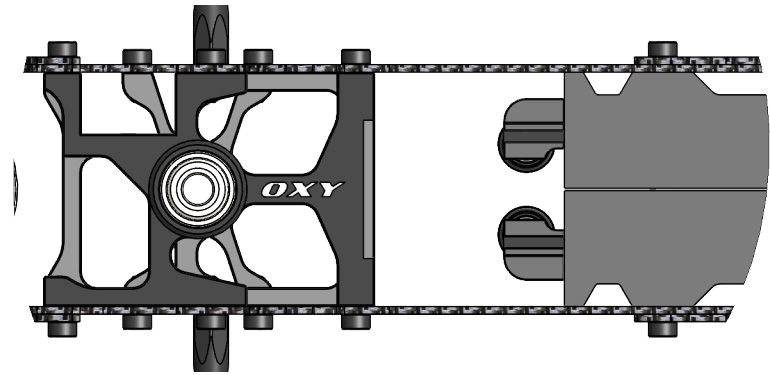
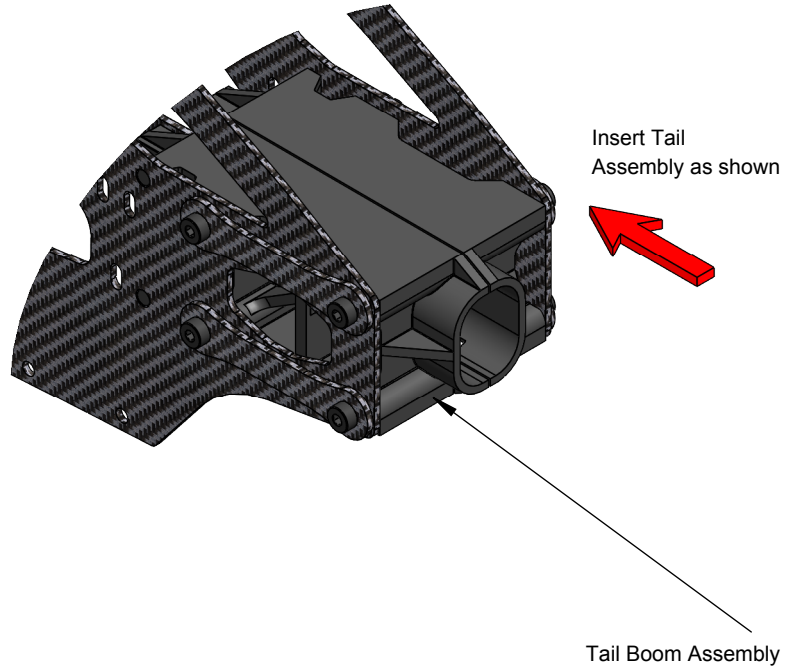



 Important Note:
This part, for tuning reasons,
comes factory pre assembled
with grease and loctite. It is
ready to use.

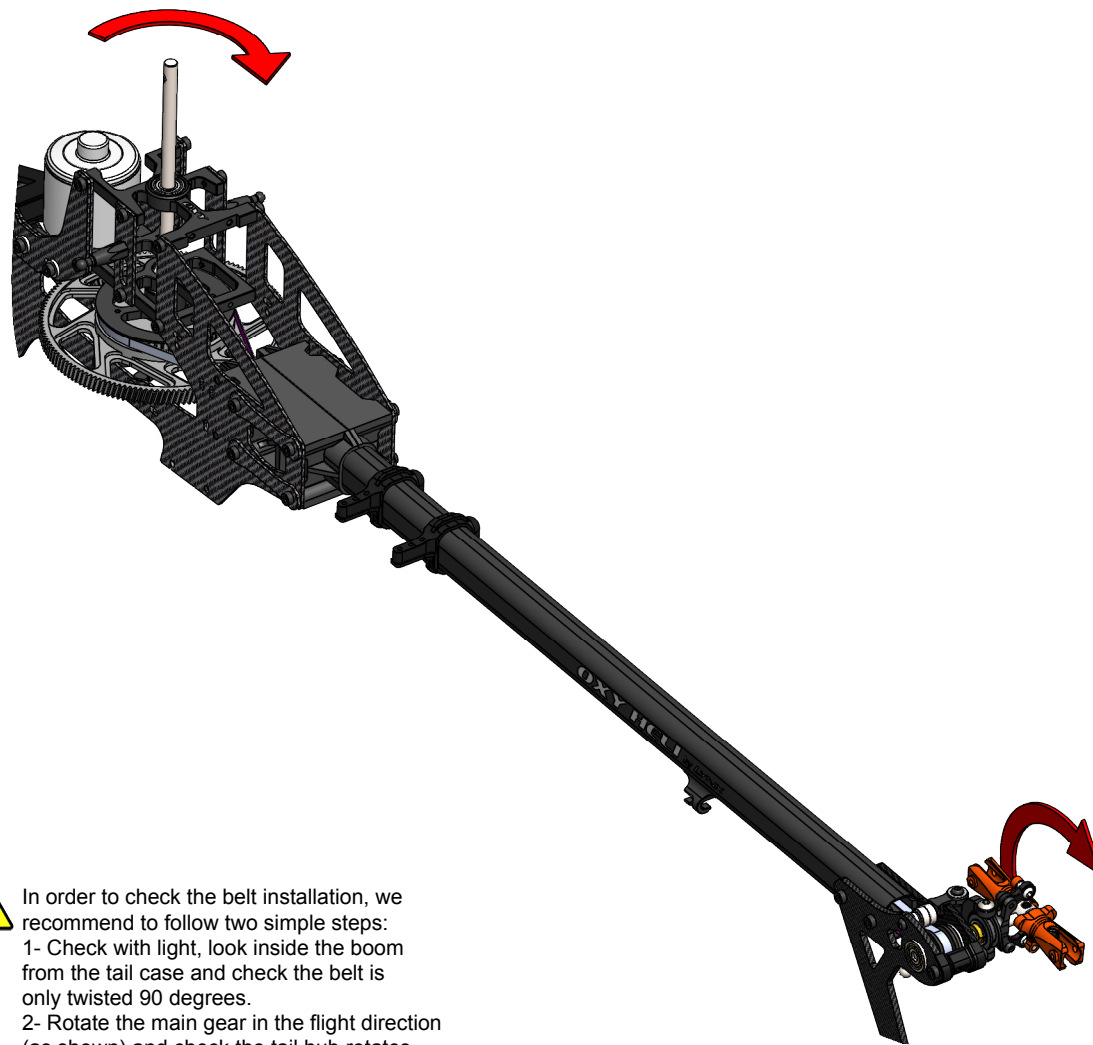
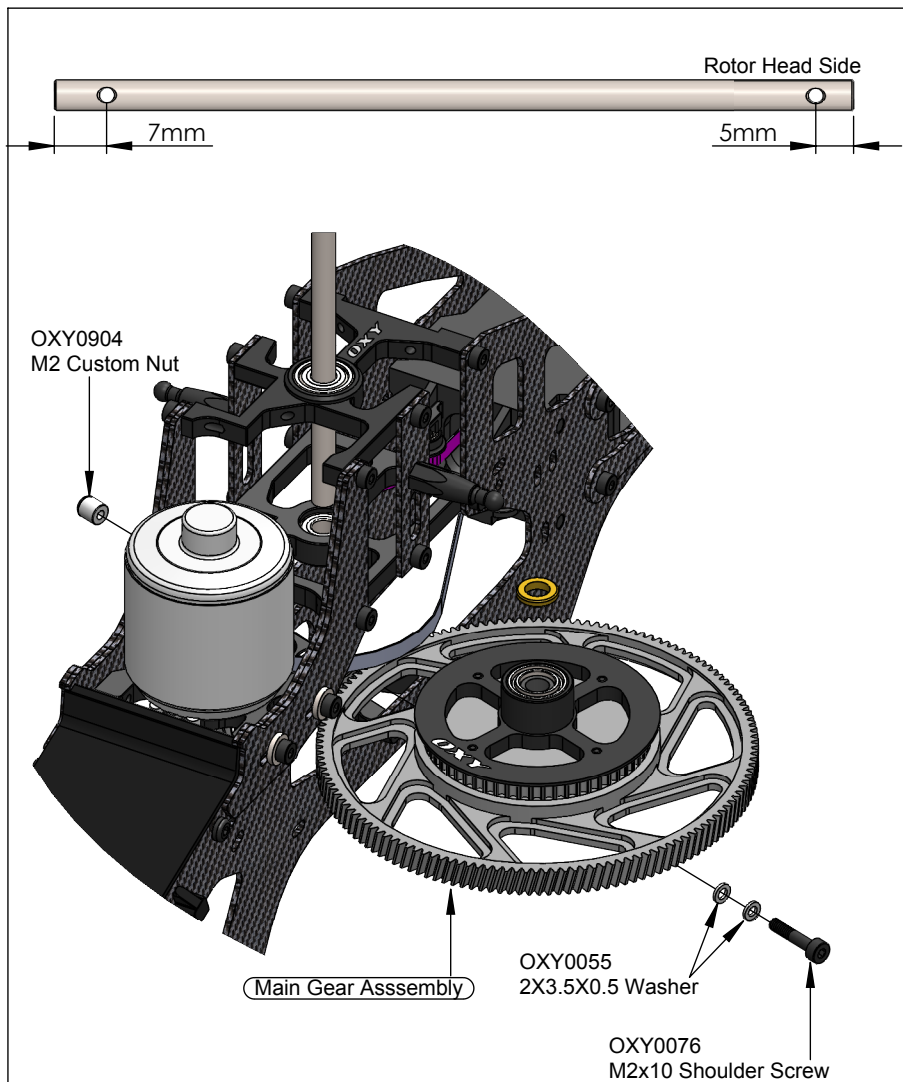
OXY0386
OXY3-CNC MAIN GEAR 140T

4xTCM2x6
M2x6 Hex Cap Screw



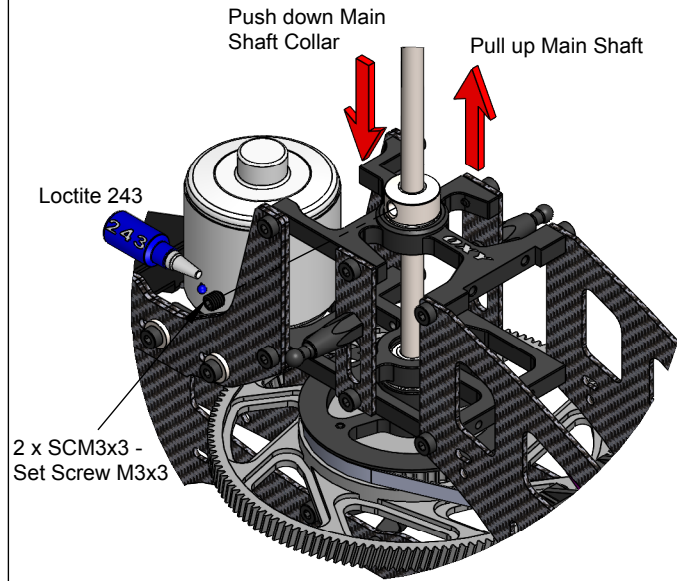


 Before next assembly step check carefully
Tail Belt assembly position as shown

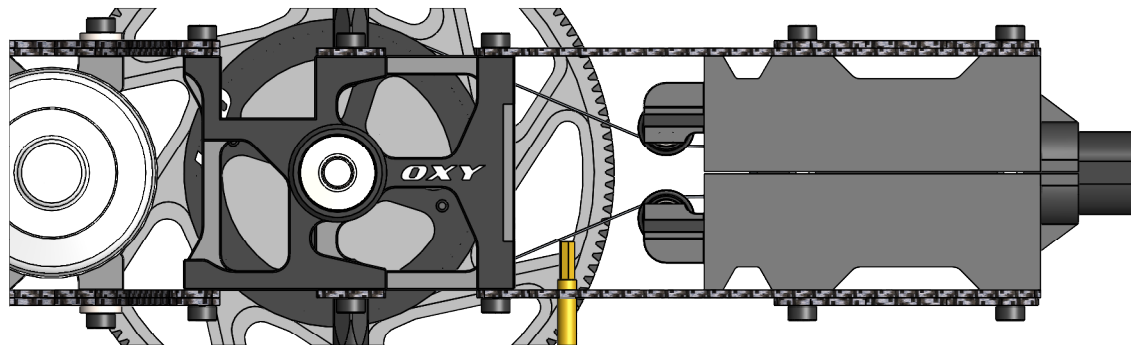
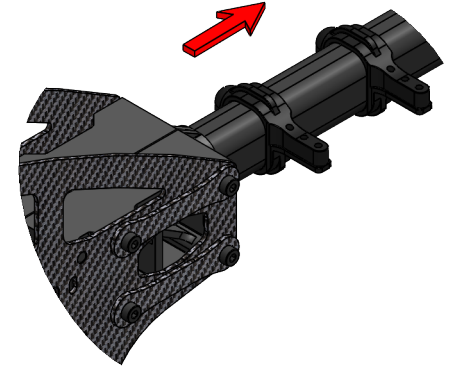


In order to check the belt installation, we recommend to follow two simple steps:

- 1- Check with light, look inside the boom from the tail case and check the belt is only twisted 90 degrees.
- 2- Rotate the main gear in the flight direction (as shown) and check the tail hub rotates in the direction shown. If the Tail Rotor rotates in the wrong direction, go back to previous instructions and double check your assembly



- Be sure the boom is assembled and installed correctly.
- Loosen the tail boom by loosening the eight M2.5x8 Hex Cap Screws.
- Adjust the Belt tension by pulling on the Tail Boom.
- Tighten the eight M2.5x8 Hex Cap Screws.
- The belt must have good tension. We suggest re-checking after a few flights. We suggest to check belt tension often, before each flying session.
- If spool up get difficult, may Tail Belt is over tight, recheck and eventually loose Belt tension little bit
- If the belt is often loose, you should check the lock system or belt integrity.
- Tests show that a hard 3D pilot can perform over 400 flights before the belt will fail. We recommend replacing the Tail Belt after 300 flights, even if it does not show wear, to avoid it breaking unexpectedly in flight.
- After a crash, spend some time checking Belt integrity and replace if any teeth are missing



Use a Screw Driver to check Belt Tension (suggested max deflection is 1mm)

- Note: We recommend a tight Belt tension.
- If spool up get difficult, may Tail Belt is over tight, recheck and eventually loose Belt tension little bit
- Check the Belt tension again after the first 2 flights.
- With a new Tail Belt, when the head is rotated slowly, it is normal to hear a tooth sound as the belt engages with the Main Pulley. This sound is normal and will disappear after a few flights and the necessary "break-in".

add loctite 648

F3-8G-X
3X8X3.5 Thrust Bearing

Ø 3.20mm

add silicon grease

Ø 3mm

2x5x2
Radial Bearing

OXY0012
2X3.7X4.4 Bushing

OXY0734-DFC Arm

Important Note:
This part, for tuning reasons, comes factory pre assembled with grease and loctite. It is ready to use.

OXY0054
3X4X0.1 Shim

add loctite 648

2xMR83-ZZ
3X8X2.5 Radial Bearing

Important Note:
This part, for tuning reasons, comes factory pre assembled with grease and loctite. It is ready to use.

OXY0666
SST Threaded Rod M2X10

OXY0716
4mm PL linkage Ball M2 thread

35mm

OXY0081
2.1X5.5X1 Washer

TCEM2x6
M2x6 Hex Cap Screw

OXY0054
3X4X0.1 Shim

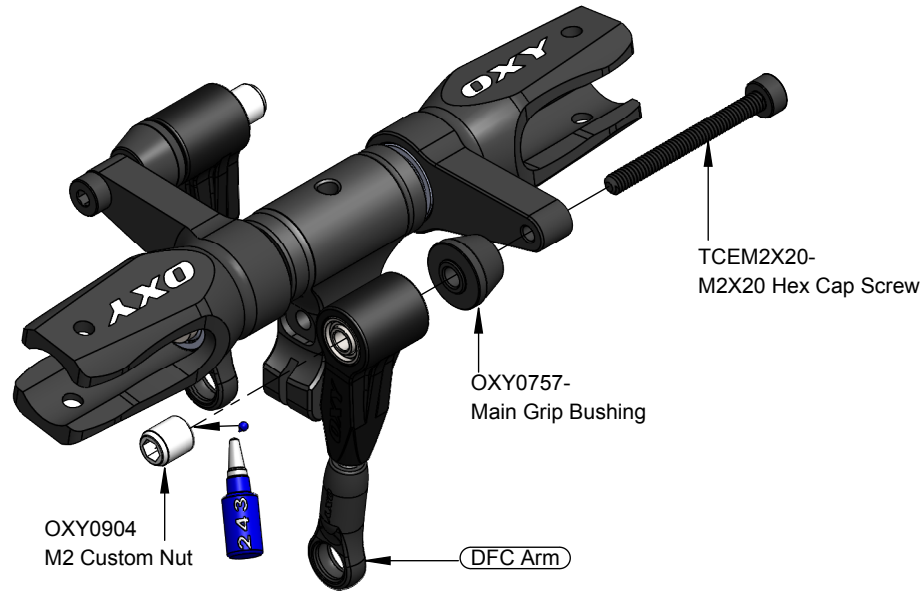
OXY0137
3.1x5x0.6 Washer

OXY0110-Damper Rubber
OXY0079
Dampener Bushing

OXY0007
Spindle Shaft

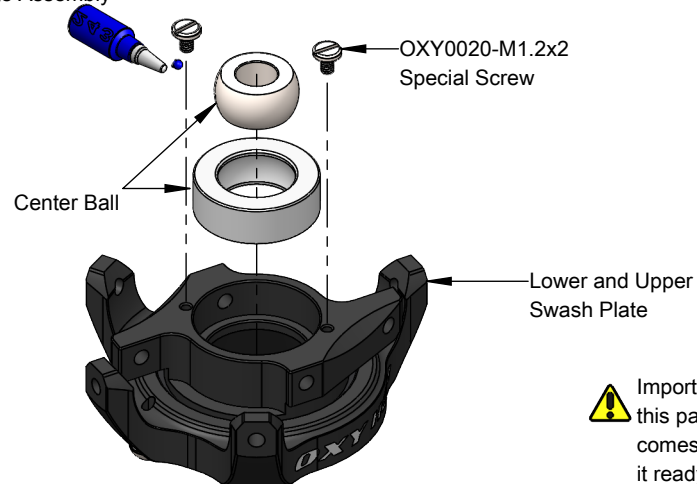
Important Note:
This part comes pre assembled WITHOUT thread lock. Follow the instruction for final assembly.

Fine Adjust Shims:
In order to give fine adjustment options, the extra Hardware Bag contains extra Shims 3x4x0.1. Start assembly with one (each side) pre installed shim. If the Main Grips have sideways play, add shims as required. Each Grips must have the same number of shims. If you add one shim on the left side, you need to also add one shim on the right side

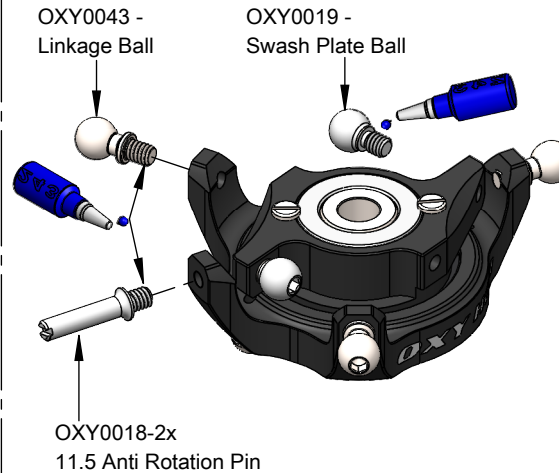


- ⚠ Important Note:**
This part comes pre assembled WITHOUT thread lock. Follow the instruction for final assembly
- ⚠** Once you finish assembly, ensure the DFC Arms can rotate without friction. If the DFC Arms are assembled correctly, rotation should be smooth and without friction. In case of any friction, recheck each component and re-assembly as necessary.

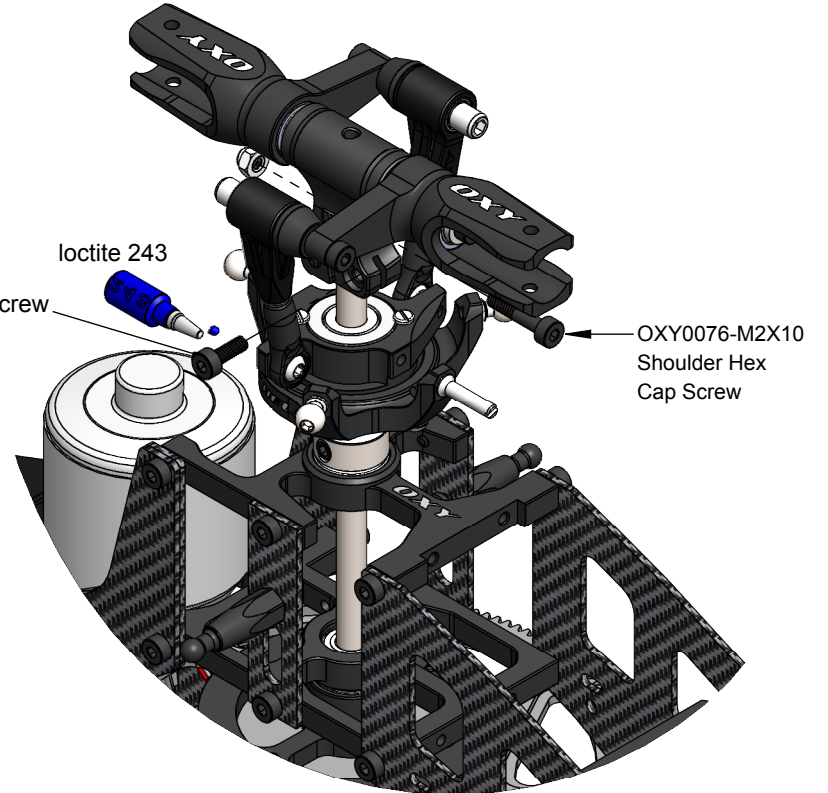
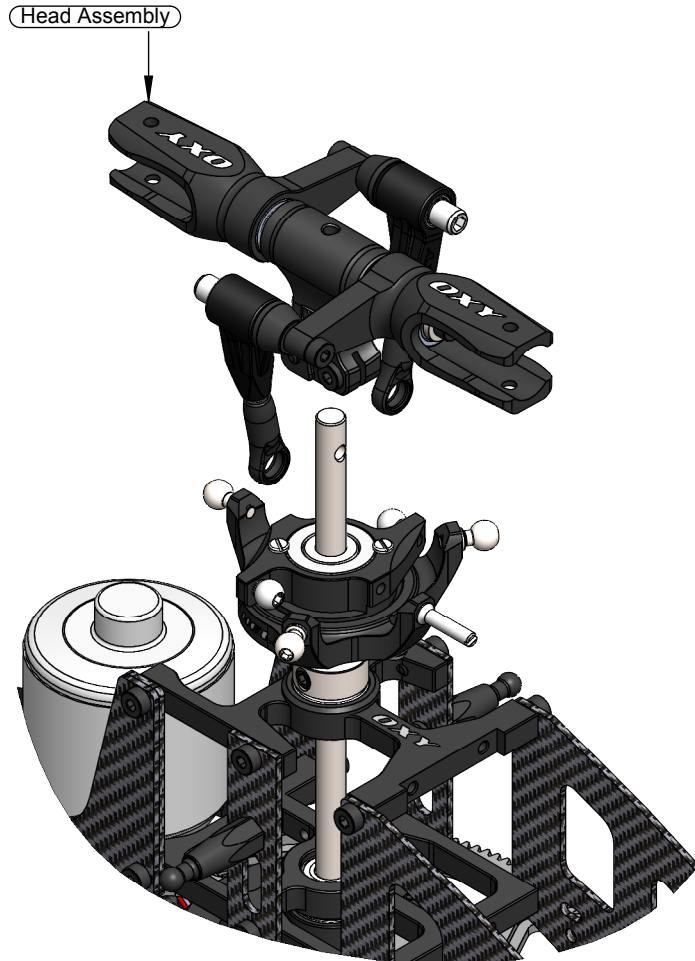
Swash Plate Assembly



- ⚠ Important Note:**
this part, for tuning reasons, comes factory pre assembled, it ready to use.



- ⚠ Important Note:**
This part comes pre assembled WITHOUT thread lock. Follow the instruction for final assembly.
- ⚠ Swivel Ball Note:**
The Swivel Ball is pre-assembled with a precise fitting. When new, the Swash Plate center ball will have a little friction. After a few flights and "break-in" it will come smooth, keeping the best precision without play.



- You should now do some initial setup of your FBL unit and servos.
- We recommend you select a new model in your transmitter, and reset your FBL unit and start with a clean setup in it as well.
- After binding your transmitter to the receiver system used with the FBL unit, work your way through the FBL setup instructions to the point you plug in your servos.
- Now set your collective stick in the middle position, and position the servo arms as close to the correct positions you can on each servo see the following pages for arm orientations on the various servos.
- Next confirm the servos work in the correct direction, then return the collective stick to the center position.
- Now use your FBL unit to trim the servos so the arms are exactly horizontal (see pictures below).
- This procedure varies between units. Carefully label the position of the servos, then proceed with the installation of the servos as shown.

Linkage Ball Position

OXY0085 - Servo Arm
(Box1/Bag 19)

7.50
10

After Cut

REF 7.30mm

! It is really important the servo rods screw onto the linkages the same amount. The Plastic ball links have a Lynx logo to give you information about turn adjustment, but have a symmetrical ball socket shape and can be installed in either direction to achieve the best fine tuning.

Front Cyclic Servo

OXY0085 - Servo Arm

OXY0092 Linkage Bal

OXY0108 M2 Hex Nut

OXY0108 M2 Hex Nut

OXY0085 - Servo Arm

OXY0092 Linkage Bal

OXY0085 - Servo Arm

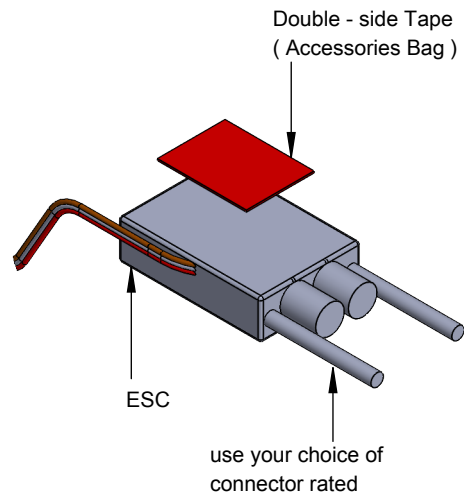
OXY0108 M2 Hex Nut


OXY0092 Linkage Bal

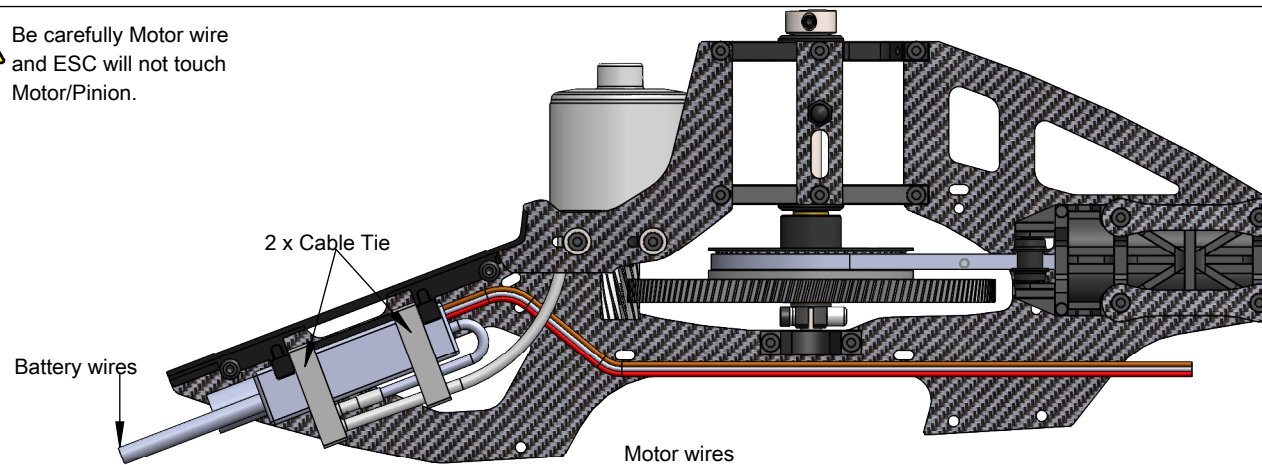
OXY0085 - Servo Arm


OXY0108 M2 Hex Nut

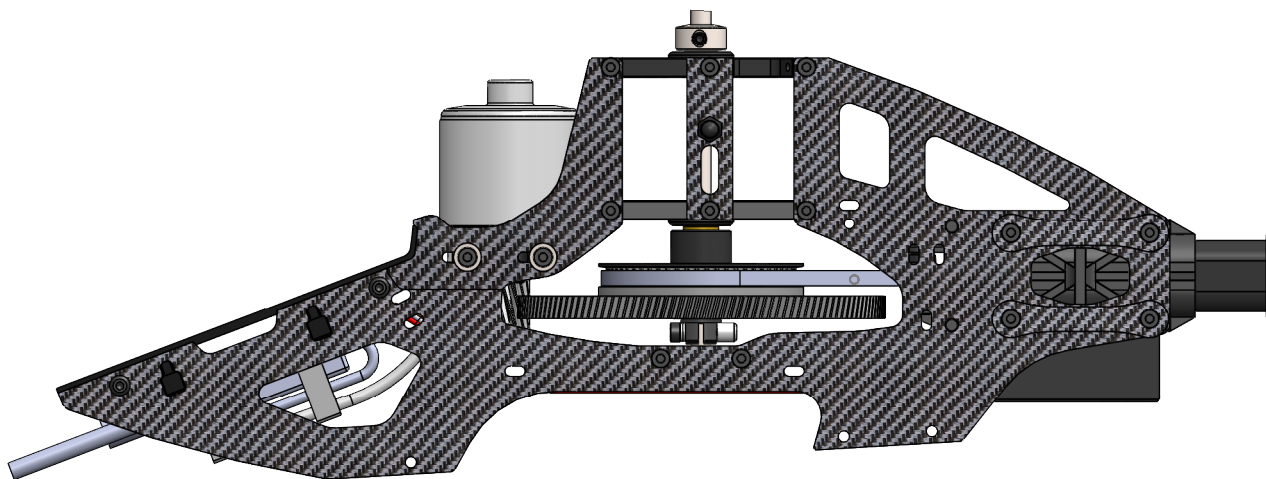
OXY0092 Linkage Bal

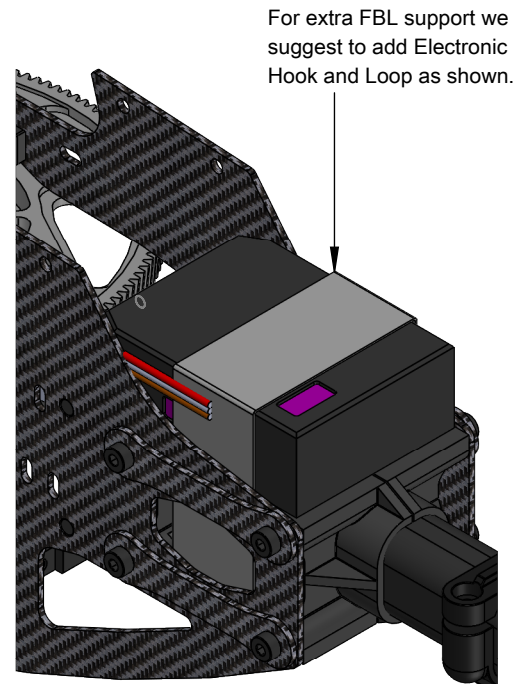
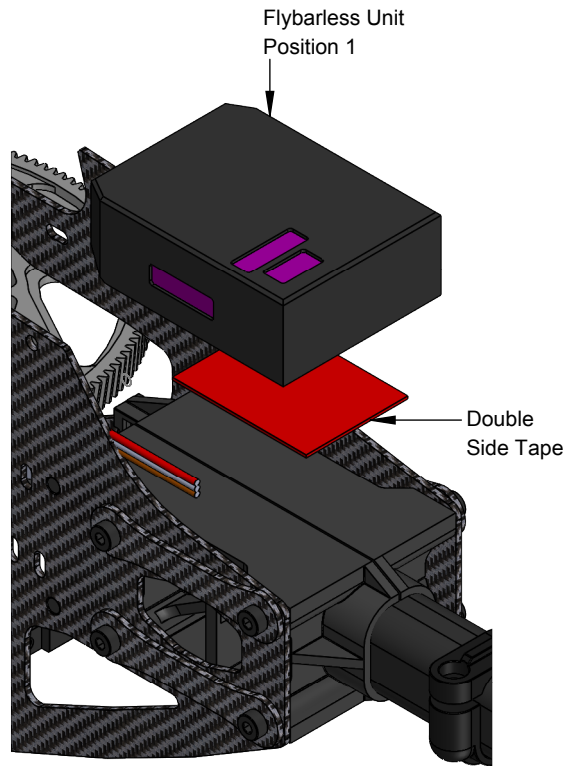



 Be carefully Motor wire
and ESC will not touch
Motor/Pinion.

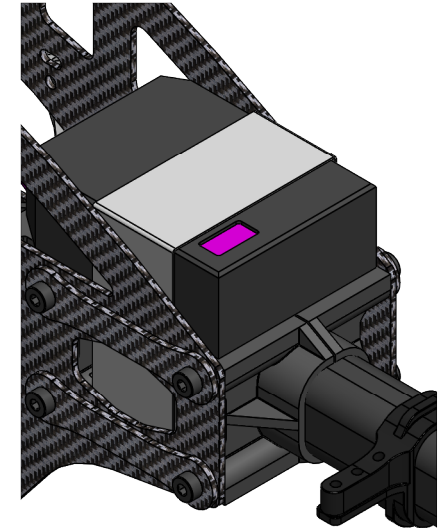


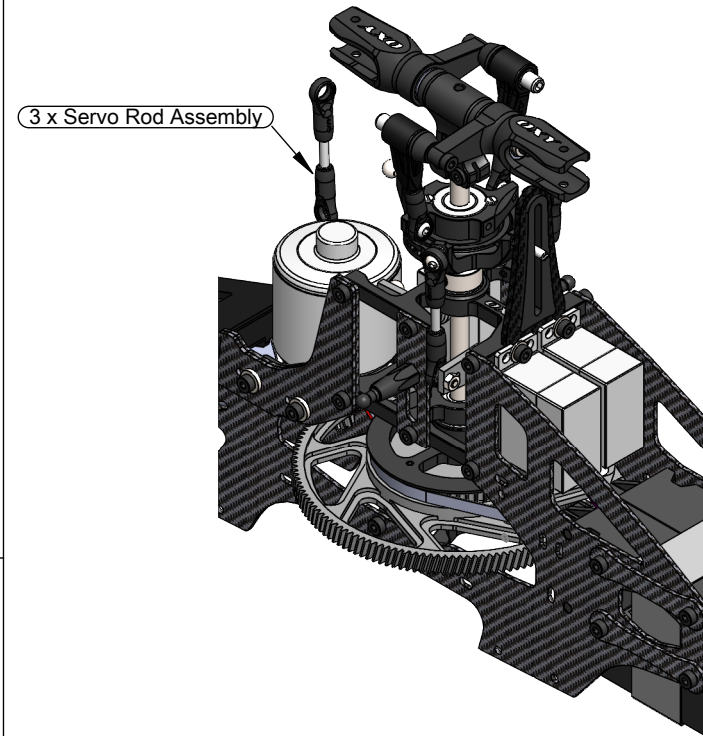
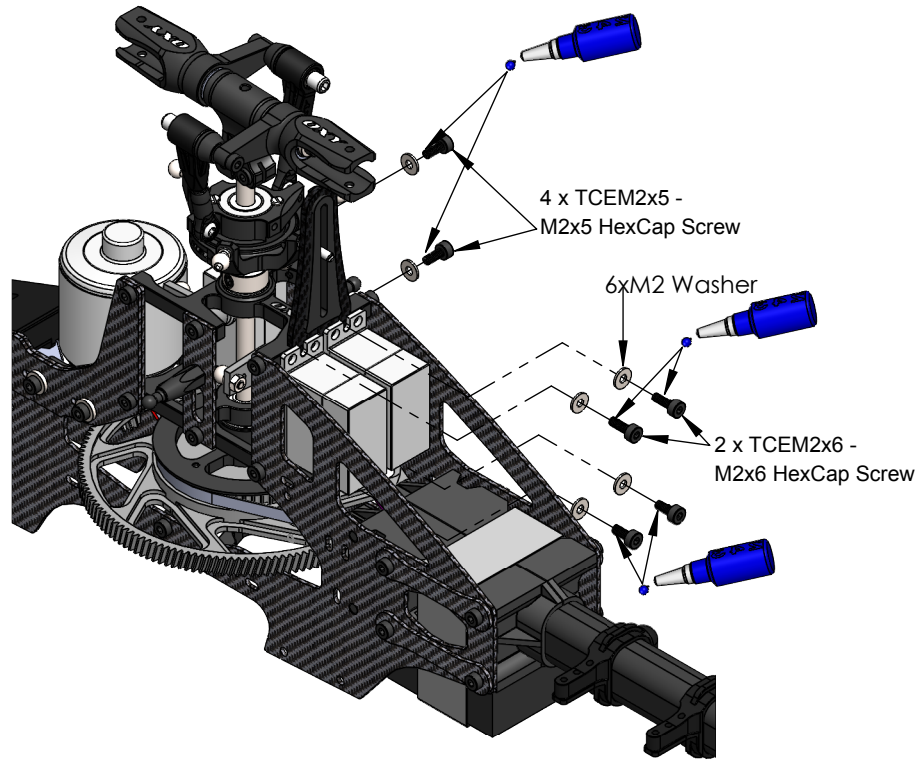
 Use 3 x cable ties, to secure the Throttle ESC wire to the main frame. Use the Frame built-in socket for best holding. In this Step connect the Motor and ESC Wires but don't secure yet. Wait till the final motor rotation check, once the FBL system is set up.
NOTE: To reverse Motor rotation direction , just switch 2 of the 3 wires.



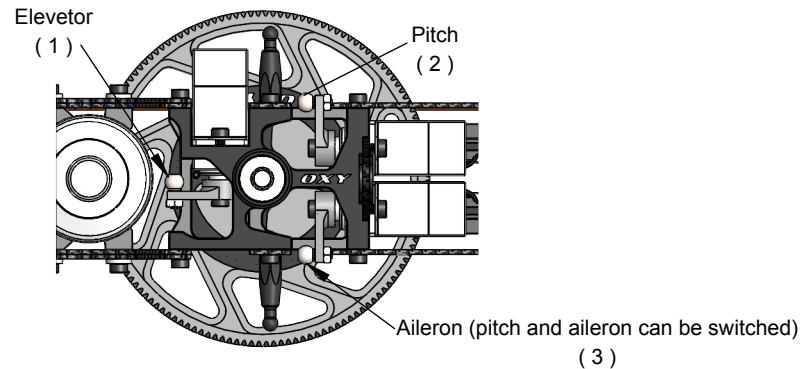



 The FBL system can be installed at the bottom or top of the boom clamp. We suggest to use the bottom for easy wiring and servo removal.

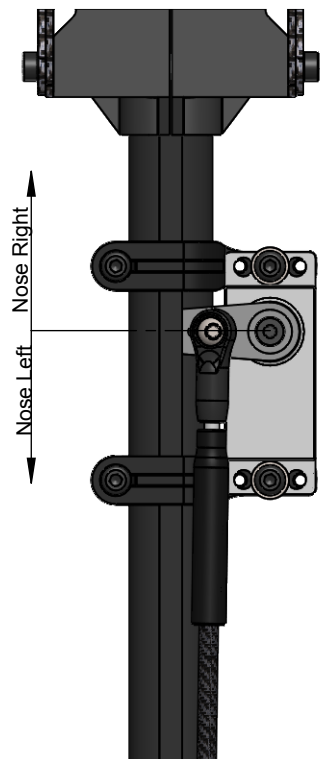




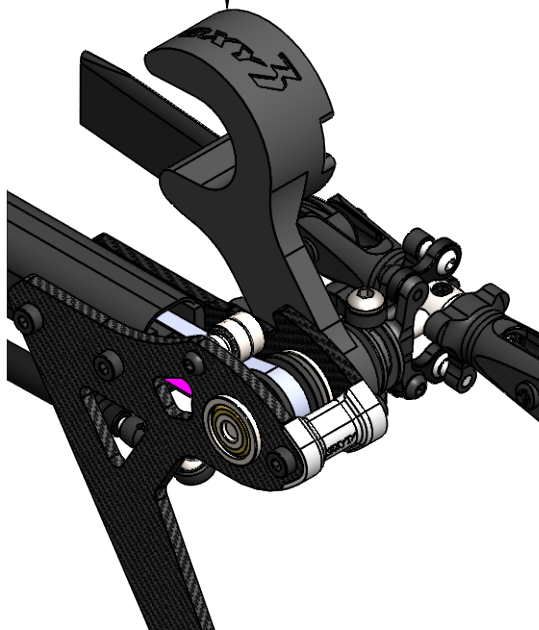
Servo Layout




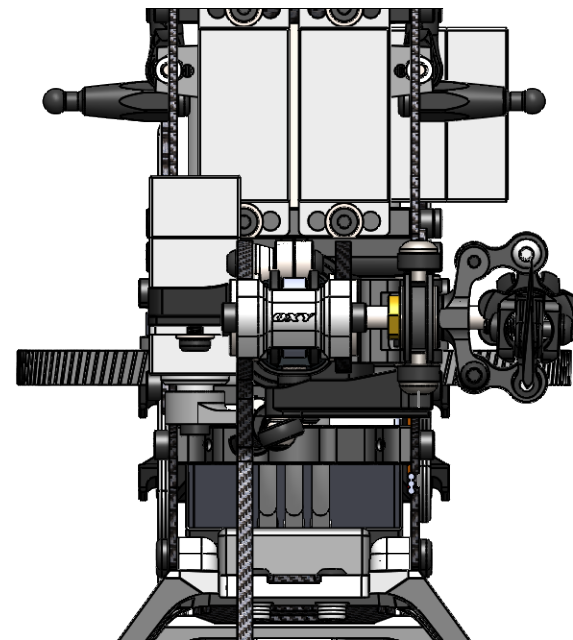
 Arm position with centered Rudder stick.




Leveler
(Accessories Bag)

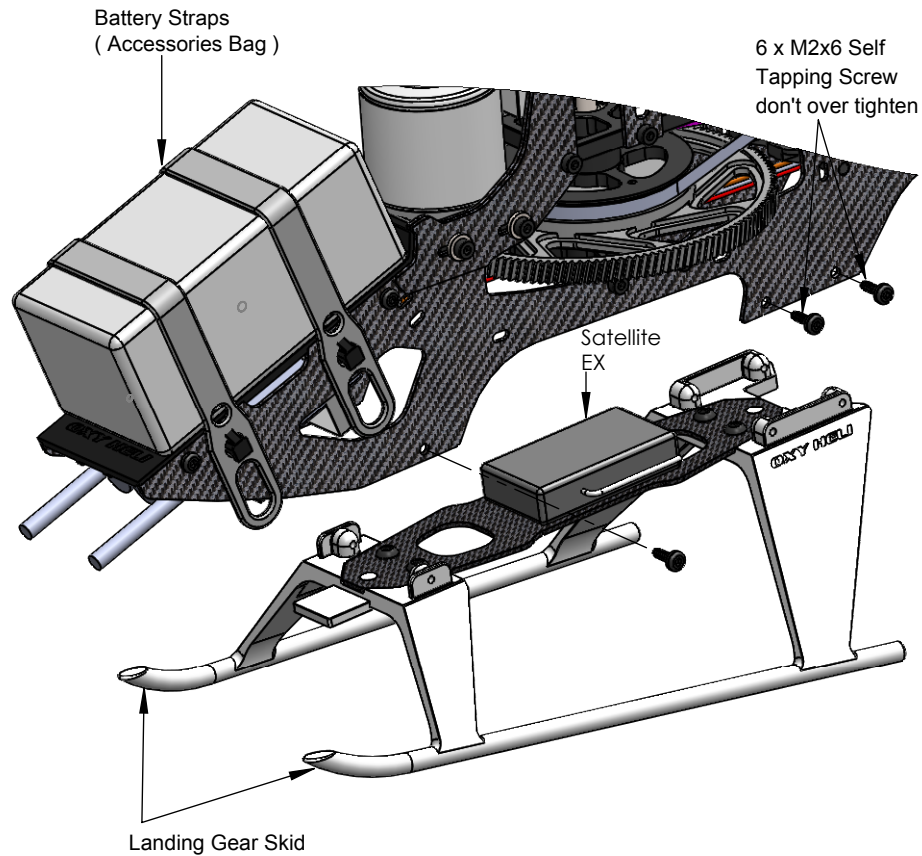


 With Rudder Stick centered and the Tail Servo Arm in the center position, adjust the Tail Push Rod length until the Tail Bell Crank and Tail Case Plate are parallel as shown.

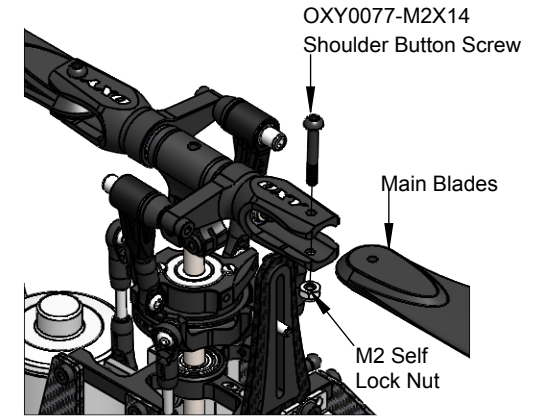


 The Oxy 3 Tail System has approximately 3.5 of counter torque with the Tail Bell Crank set per instructions.

Landing Gear & Battery Installation



Main Blades Installation

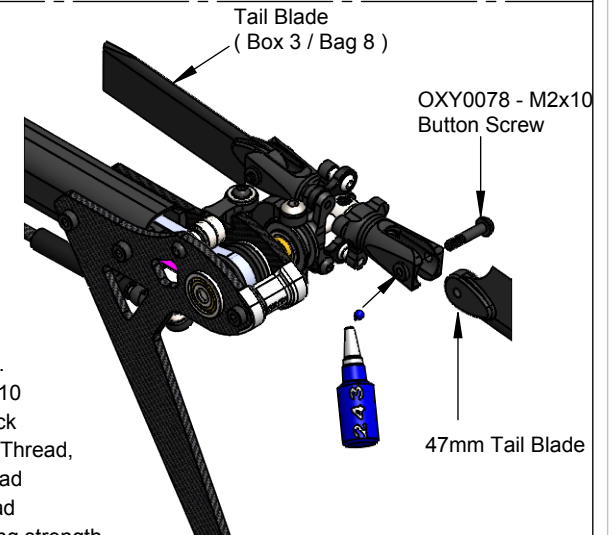
**Main Blade Lock Note:**

In small Heli or in aggressive head design like oxy 2, 3 and 4 if you fly on hard terrain **MUST** set loose. This suggestion will avoid annoying wobbling on ramp up or landing.



Tail blade need be loose. Set it free to rotate.

About lock thread, to assure the Screw M2x 10 use it but carefully. Apply small amount of lock thread NOT in the Screw but in the Tail Grip Thread, using a tooth pick. Be careful about lock thread contamination on plastic tail blade, lock thread contains chemical that effect plastics, reducing strength. After assembly clean carefully any lock



Before Fly:

Now complete the setup of your FBL system. In the Accessories Bag you will find an Oxy 4 Swash Plate Leveler.

This Tool is designed to fit under the Swash Plate without disassembly any parts. This simple tool will both level the swash and give the Zero Pitch Position.

Starting gyro gain: The Oxy 4 was designed around famous FBL Systems (IKON / Brain / mini V-Bar), and we suggest you start with the following standard set up and adjust after test flying.

Cyclic Set Up:

Use suggested settings for 450 Helicopters and adjust after test flights.


See our table on page 6 for RPM and Pitch Settings. Cyclic Max pitch should be +/- 10.5 deg.

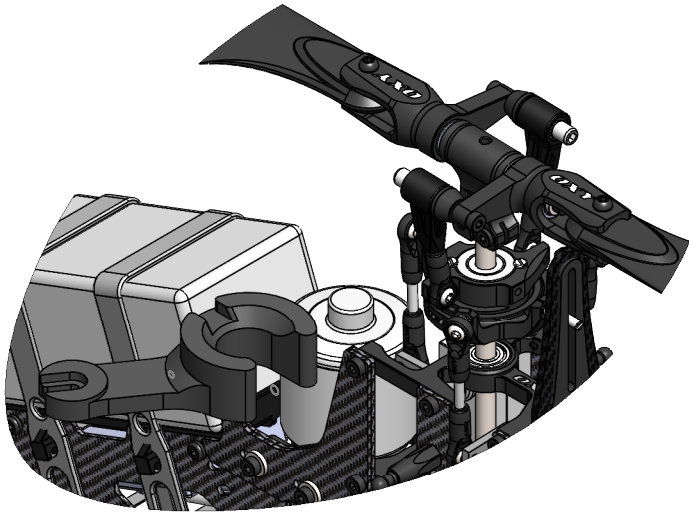
Tail Set Up:

Use the suggested settings for 450 Helicopters BUT start with a LOWER Tail Gain (Increase after test per need)

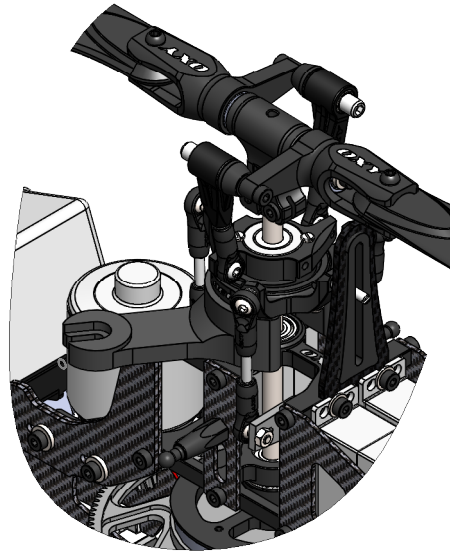
IKON / Brain = 20%


Mini V-Bar = 250 Heli suggested gain.

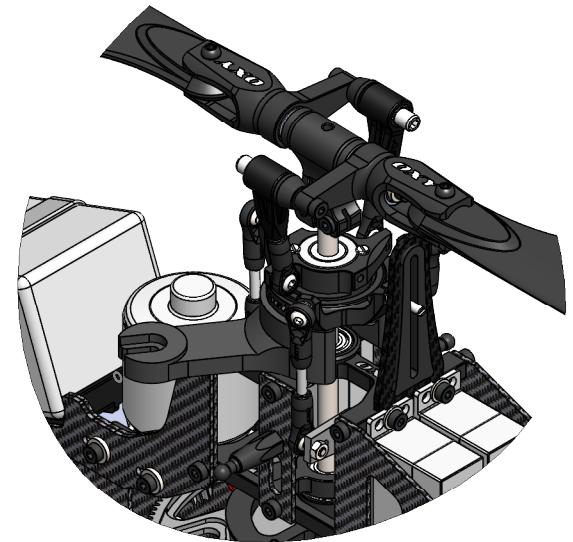
 Lift up swash plate as shown to have space for inserting Leveler.

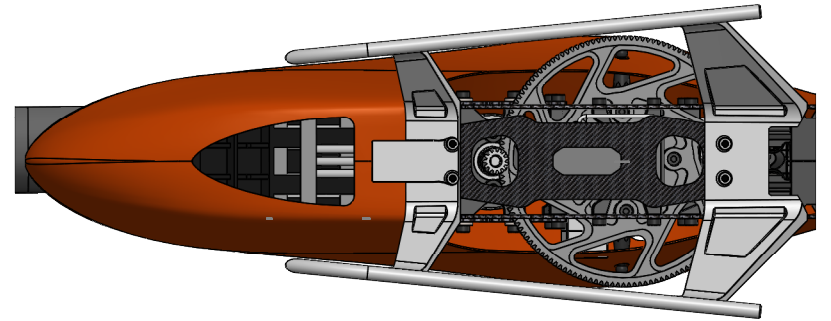
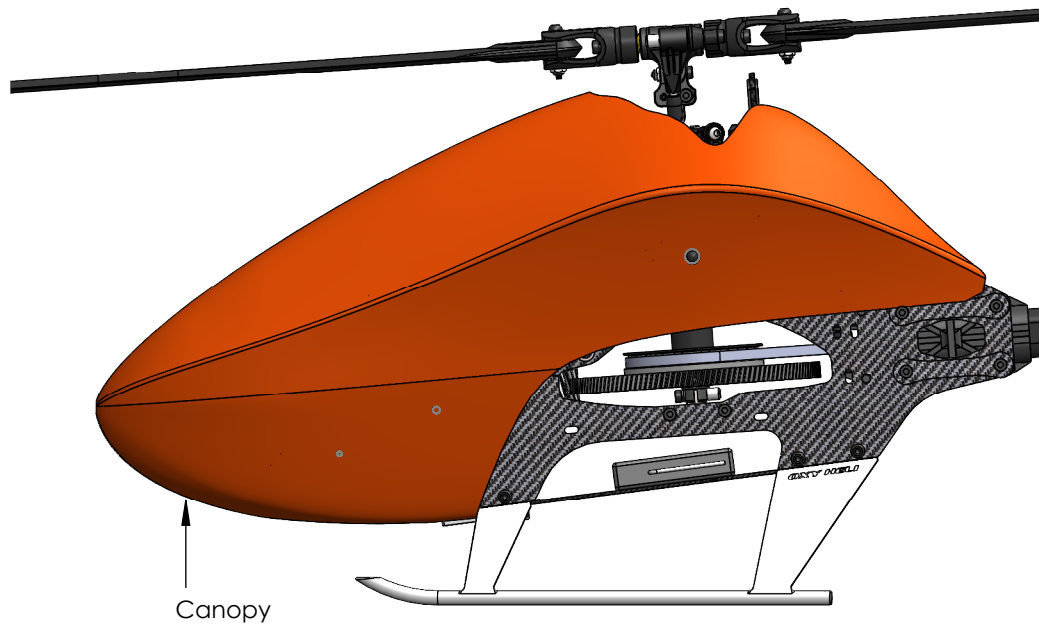


 Rotate Leveler as shown

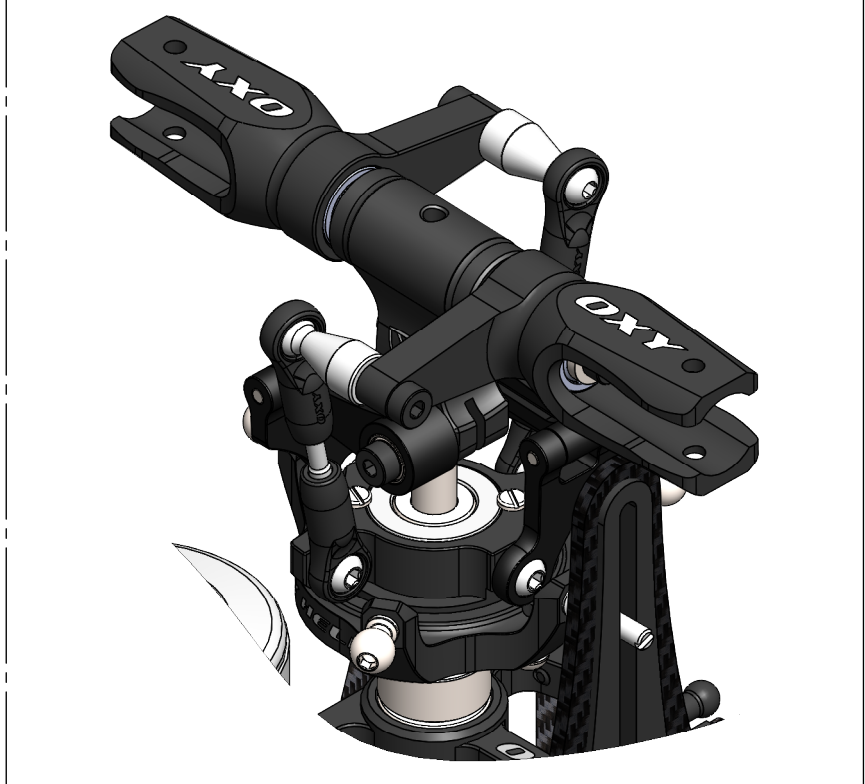
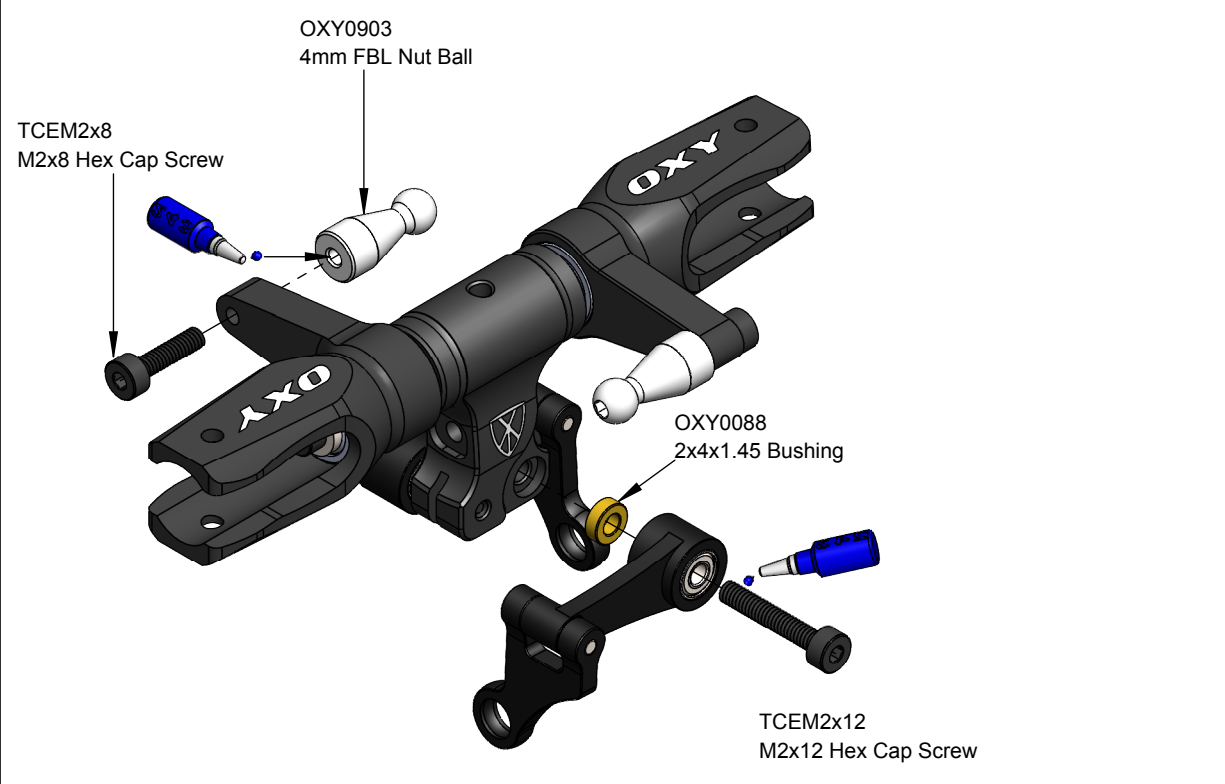
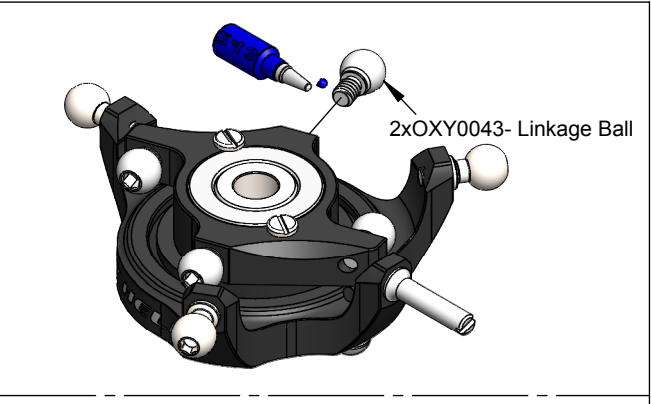
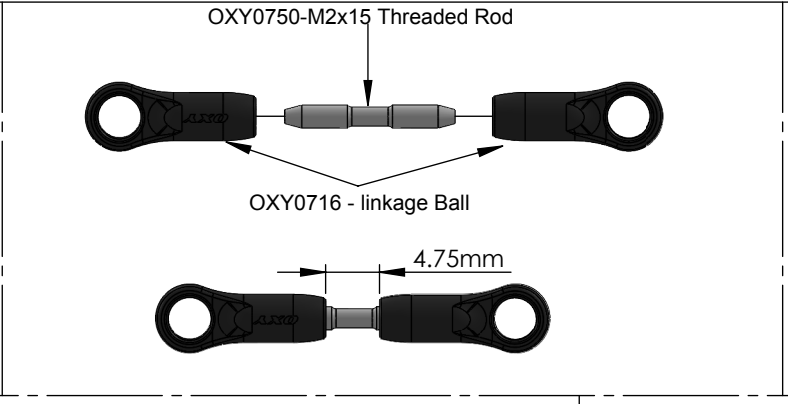
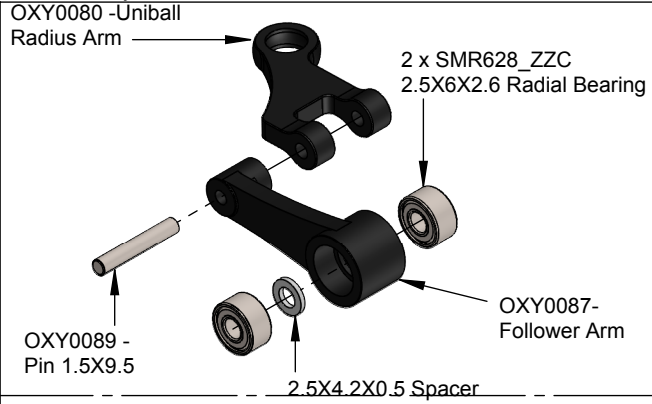


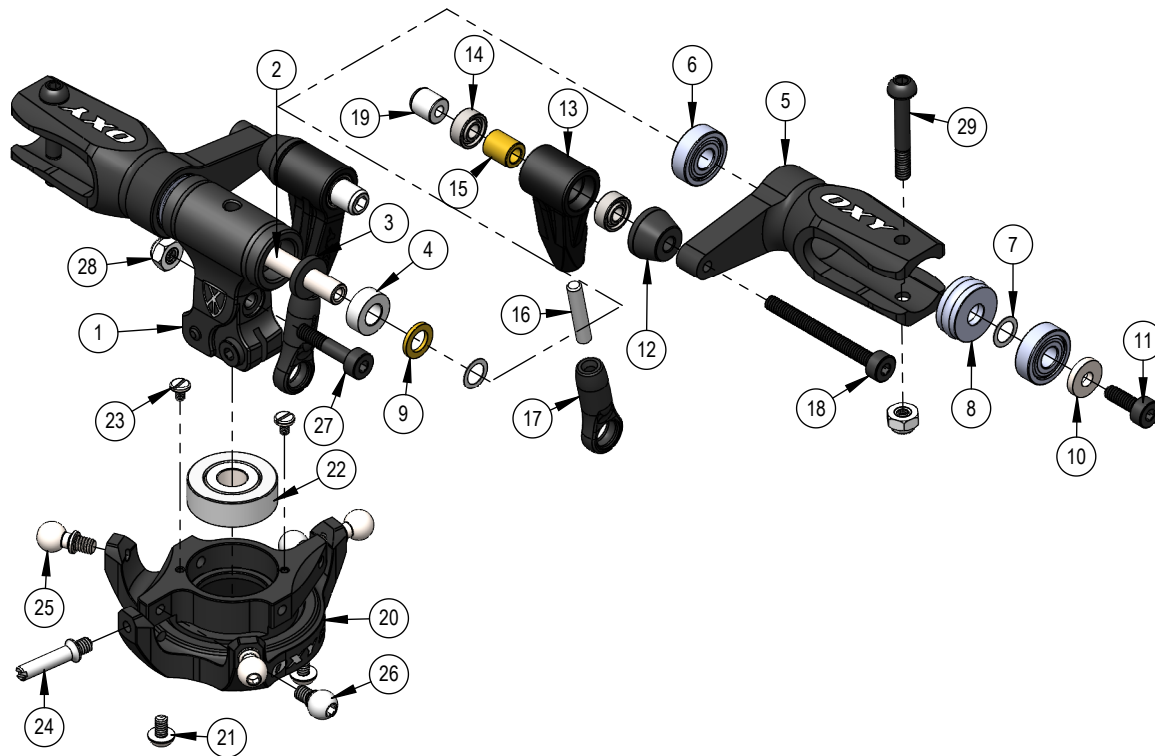
 Lower Swash Plate down until Swash Plate touch Leveler as shown.



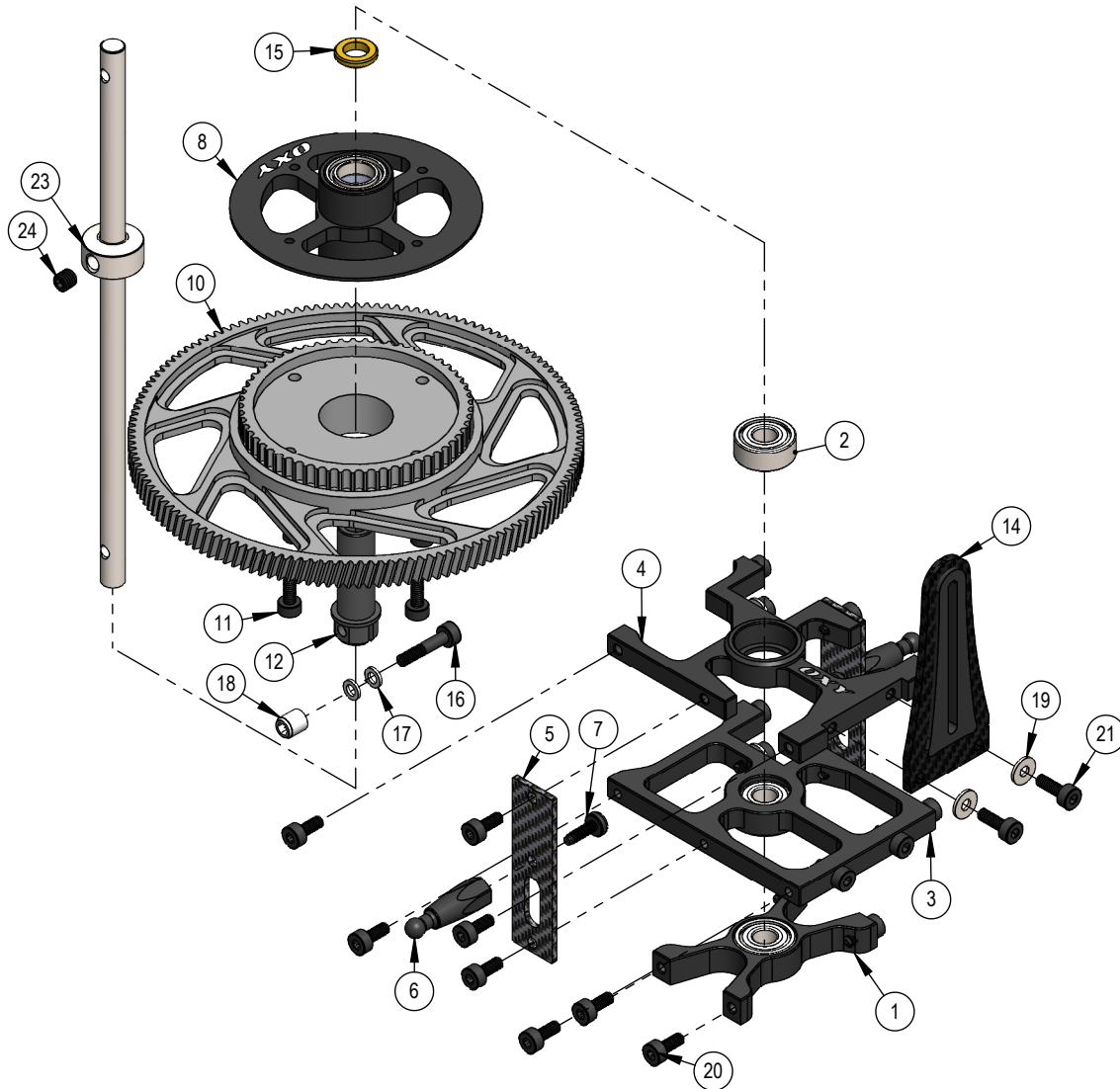


FBL Head System not included in the kit

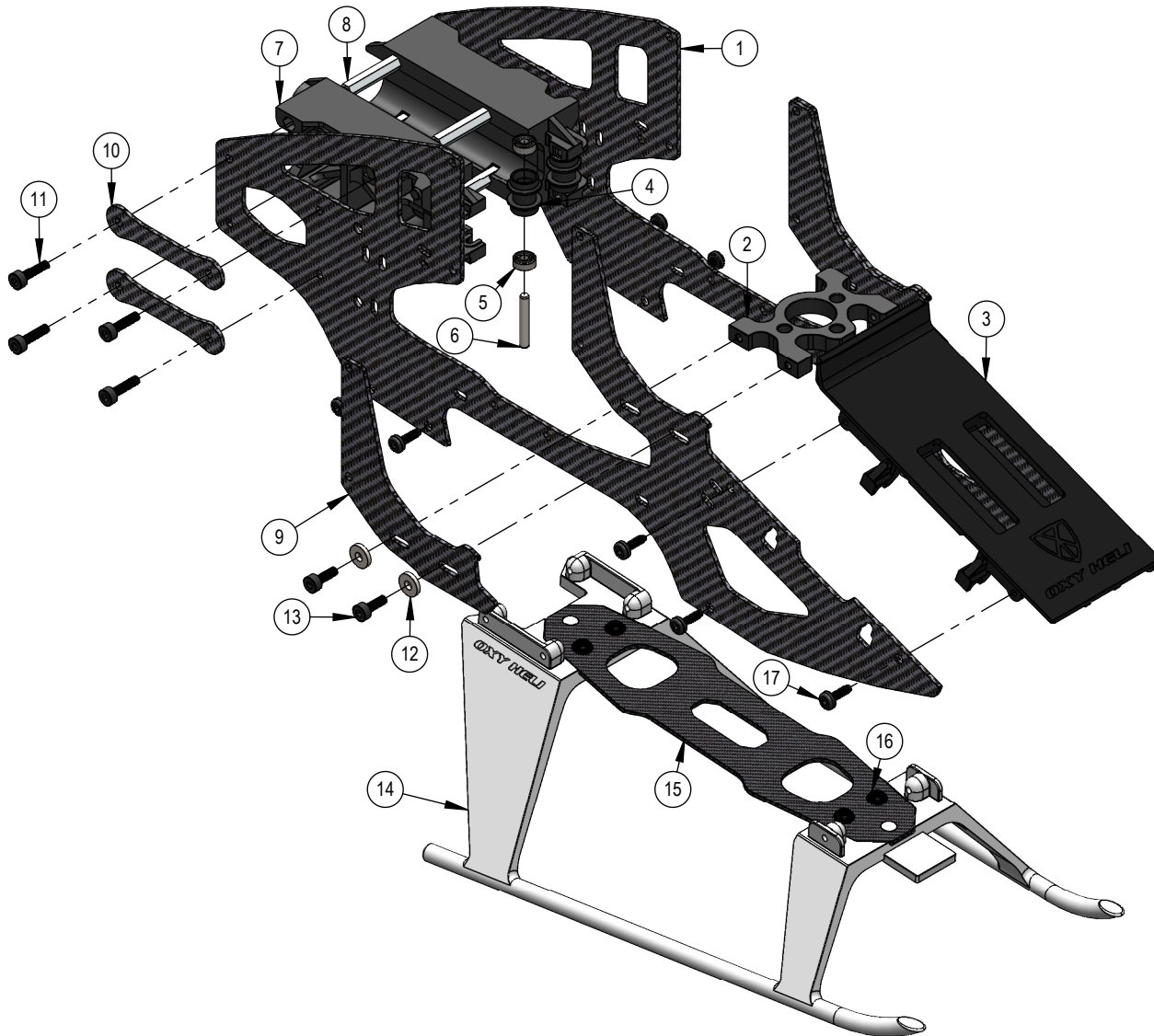




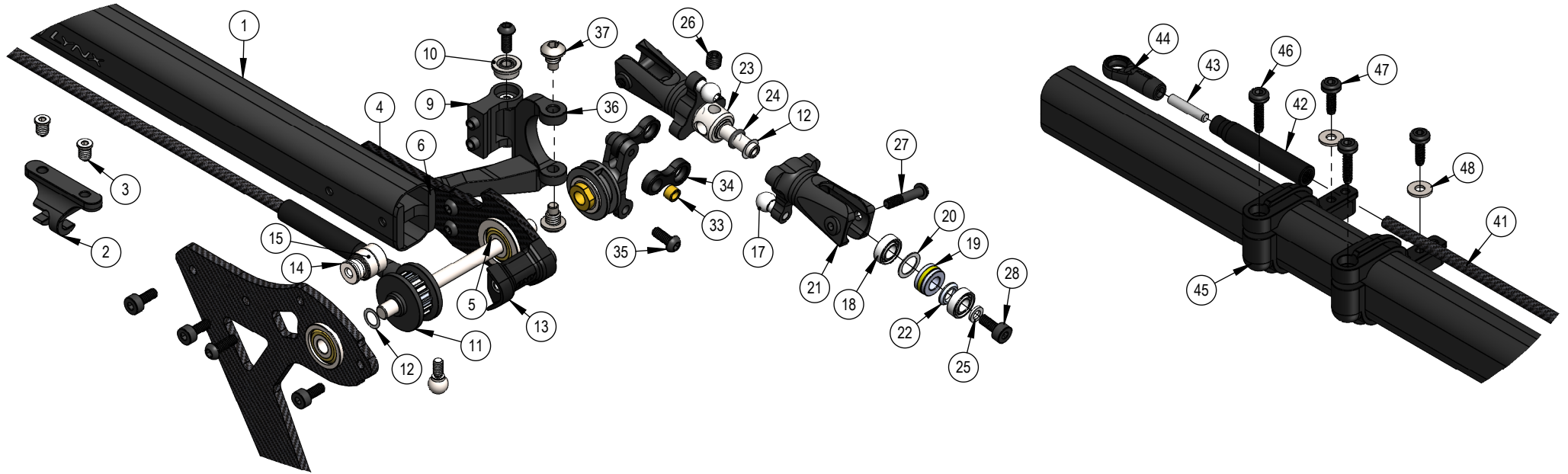
Pos	PartNo	Description	Qty
1	OXY0005	Center Hub	1
2	OXY0007	Spindle Shaft	1
3	OXY0110	Damper Rubber	2
4	OXY0079	Damper Bushing	2
5	OXY0435	Main Grip	2
6	MR83-ZZ	3X8X2.5 Radial Bearing	4
7	OXY0054	3X4X0.1 Shim	4
8	F3-8G-X	3X8X3.5 Thrust Bearing	2
9	OXY0137	3.1X5X0.6 Washer	2
10	OXY0081	2.1X5.5X1 Washer	2
11	TCEM2X6	M2X6 Hex Cap Screw	4
12	OXY0757	Main Grip Bushing	2
13	OXY0734	DFC Arm	2
14	MR52-W2	2X5X2 Radial Bearing	4
15	OXY0012	DFC Arm Spacer	2
16	OXY0666	OXY4 SST Threaded Rod M2X10	2
17	OXY0716	4mm PL linkage Ball M2 thread	2
18	TCEM2X20	M2X20 Hex Cap Screw	2
19	OXY0904	M2 Custom Nut	2
20	OXY0696	OXY4 Lower Swash Plate	1
21	OXY0111	M1.6X3 Button Screw	2
22	OXY0017	Center Ball	1
23	OXY0020	M1.2x2 Special Screw	2
24	OXY0018	2x11.5 Anti Rotation Pin	1
25	OXY0019	Linkage Ball	3
26	OXY0043	Linkage Ball	2
27	OXY0076	M2X10 Hex Cap Screw	1
28	SLNM2	M2-Lock Nut	3
29	OXY0077	M2X14 Button Screw	2



Pos	PartNo	DESCRIPTION	QTY.
1	OXY0083	Lower Main Shaft Bearing Block	1
2	MR104_ZZC	4X10X4 Radial Bearing	3
3	OXY0027	Middle Bearing Block	1
4	OXY0026	Upper Main Shaft Bearing Block	1
5	OXY0033	Break Away Canopy Mount	2
6	OXY0082	Canopy Mount	2
7	TBES2X6	M2X6 Self Tapping Screw	2
8	OXY0037	Main Gear Hub	1
9	OXY0039	8X10X0.2 Shim	2
10	OXY0386	Main Gear	1
11	TCEM2X6	M2X6 Hex Cap Screw	4
12	OXY0041	One Way Sleeve	1
13	OXY0040	6X8X0.15 Shim	1
14	OXY0276	Anti Rotation Guide	1
15	OXY0038	Auto Rotation Spacer	1
16	OXY0076	M2X10 Hex Cap Screw	1
17	OXY0055	2X3.5X0.5 Washer	2
18	OXY0904	M2 Custom Nut	1
19	OXY0103	Washer M2	4
20	TCEM2X5	M2X5 Hex Cap Screw	20
21	TCEM2X6	M2X6 Hex Cap Screw	2
22	OXY0003	Main Shaft	1
23	OXY0004	Main Shaft Lock Ring	1
24	SCM3x3	Flat-Tip Set Screw M3x3	2



Pos	PartNo	Description	Qty
1	OXY0921	OXY3 Main Frame ED2018	2
2	OXY0029	Motor Mount	1
3	OXY0035	Battery Tray	1
4	OXY0024	Pulley Guide Belt	2
5	MR52-W2	2X5X2 Radial Bearing	4
6	OXY0023	2X13.5 Pin	2
7	OXY0002	Boom Clamp	2
8	OXY0022	Lock Rod	4
9	OXY0911	OXY3 CF Motor Mount Stiffener	2
10	OXY0034	Stiffener	4
11	TCEM2X8	M2X8 Hex Cap Screw	8
12	OXY0081	2.1X5.5X1 Washer	4
13	TCEM2X6	M2X6 Hex Cap Screw	4
14	OXY0036	Landing Gear	1
15	OXY031	Bottom Plate	1
16	TBEM2.5X5	M2.5x5 Button Screw	4
17	TBES2X6	M2X6 Self Tapping Screw	10



Pos	PartNo	Description	Qty	Pos	PartNo	Description	Qty	Pos	PartNo	Description	Qty
1	OXY0380	Tail Boom	1	17	OXY0050	4X3XM2BALL	2	33	OXY0062	2X3X2 Bushing	2
2	OXY0620	Guide Push Rod	1	18	MR63-X	3X6X2 Radial Bearing	4	34	OXY0064	Link Control	2
3	OXY0539	M2.5 Pin Screw	2	19	F3-6M	3x6x2.8 Thrust Bearing	2	35	TBEM2X5	M2X5 Button Screw	2
4	OXY0070	Side Case	1	20	OXY0053	4.2X6X0.2 Shim	2	36	OXY0056	Tail Bell Crank	1
5	SMF103C-ZZ	3X10X4 Flange Bearing	2	21	OXY0710	OXY4 Tail Grip	2	37	OXY0057	Tail Pin Screw	2
6	OXY0073	Tail Case Insert	1	22	OXY0723	OXY3.4 Tail Grip Spacer	2	38	OXY0092	4X2X4.2 M2 Linkage Ball	1
7	OXY0402	Vertical Fin Block	1	23	OXY0049	Tail Hub	1	39	TBEM2X6	M2X6 Button Screw	1
8	SRM73C-ZZ	3X7X3 Radial Bearing	1	24	OR-ID2_W1	O-RING ID2 W1	2	40	TBEM2X5	M2X5 Button Screw	4
9	OXY0058	Bell Crank Support	1	25	OXY0055	2X3.5X0.5 Washer	2	41	OXY0377	CF ROD 214mm	1
10	MF682ZZ	2X5X2.3 Flange Bearing	2	26	SCM3x3	Flat-Tip Set Screw M3x3	2	42	OXY0735	OXY4 - Tail Push Rod terminal	2
11	OXY0044	16T Tail Shaft	1	27	OXY0078	M2X10 Bottom Screw	4	43	OXY0666	OXY4 SST Threaded Rod M2X10	2
12	OXY0054	3X4X0.1 Shim	3	28	TCEM2X5	M2X5 Hex Cap Screw	8	44	OXY0716	4mm PL linkage Ball M2 thread	2
13	OXY0072	Tail Case Cover	1	29	OXY0061	Tail Pitch Slider Ring	1	45	OXY0066	Tail Servo Mount	2
14	OXY0071	Bearing Bushing	1	30	MF74_2GS	4X7X2.5 Flange Bearing	2	46	TBES2X8	M2X8 Self Tapping Screw	2
15	MR63_ZZC	Radial Bearing 3X6X2.5	2	31	OXY0063-3	Tail Pitch Slider Haft Moon	1	47	TBES2X6	M2X6 Self Tapping Screw	2
16	TBEM2X3	M2x3 Button Screw	1	32	OXY0060	Tail Pitch Slider Bushing	1	48	OXY0103	Washer M2	2



SP-OXY3-111
OXY3 TE - Center Hub, Black



OSP-1121
OXY3-Main-Grip-Black-Set---2pcs



SP-OXY3-066
OXY3 - Main Grip Service Bag



SP-OXY3-003
OXY3 - Carbon Steel Spindle Shaft, 2PC



SP-OXY3-004
OXY3 - Dampeners, 2 Set



OSP-1124
OXY3-OXY4-DFC-Set



OSP-1163-OXY3-OXY4
DFC-Arm-Spacer,-2-Set



SP-0012
Threaded-Rod-M2x10




OSP-1118
OXY3-ED2018-Swash-Plate








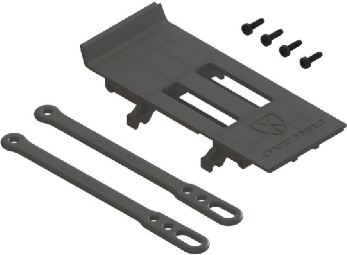







OSP-1129-OXY3-
ED2018-Swashplate-Service-Bag



<p>OSP-1008 OXY4 Linkage Ball, 10Pcs</p> 	<p>OSP-1100 Threaded Rod M2x14, 10pcs</p> 	<p>SP-OXY3-036 OXY3 - Servo Arm Set, 4 PC</p> 	<p>OSP-1130 OXY3-ED2018-FBL-System</p> 	<p>OSP-1131 OXY3-ED-2018-FBL-System-Spare</p> 
<p>OSP-1103 - OXY4 FBL Linkage Ball, 2 Set</p> 	<p>SP-OXY3-085 Blade Holder</p> 	<p>M2x6CS-10 Hex Cap Screw M2x6, 10 PCS</p> 	<p>M2x10S/CS-10 Shoulder Hex Cap Screw M2x10, 10 PCS</p> 	<p>M2x20CS-10 Hex Cap Screw M2x20, 10 PCS</p> 
<p>M2-SLN-10 Self Lock Nut M2</p> 	<p>OSP-1150-H2-M2-Nut</p> 	<p>WM20-55-100 WASHER 2X5.5 W1, 10 PCS</p> 		

	<p>OSP-1132 OXY3-Upper-Bearing-Block-Black</p> 	<p>OSP-1133 OXY3-Middle-Bearing-Block-Black</p> 	<p>OSP-1134 OXY3-Lower-Bearing-Block-Black</p> 	
	<p>OSP-1135 OXY3-Motor-Mount-Black</p> 	<p>SP-OXY3-020 OXY3 - Boom Mount, Set</p> 	<p>SP-OXY3-022 OXY3 - Belt Pulley Guide, Set</p> 	
<p>SP-OXY3-021 - OXY3 Boom Mount Lock Rod, Set</p> 	<p>SP-OXY3-067-OXY3 Main Shaft Bearing Block - Service Bag</p> 	<p>OSP-1137-OXY3 ED-2018-Main-Frame</p> 	<p>OSP-1139-OXY3 Ed2018-CF-Motor-Stiffener</p> 	<p>SP-OXY3-051 OXY3 - Break Away Canopy Plate</p> 

<p>SP-OXY3-104-OXY3 Carbon-Copolymer Anti Rotation Guide</p> 	<p>SP-OXY3-014 OXY3 - Plastic Canopy Mount, 2 Set</p> 	<p>SP-OXY3-145 OXY3- Bottom plate, CF</p> 	<p>OSP-1160 OXY3 - Landing Gear - Black</p> 	<p>SP-OXY3-019 OXY3 - Main Gear, 2PC</p> 
<p>SP-OXY3-017-OXY3 One Way Hub Assembly</p> 	<p>OSP-1136-OXY3 One-Way-Hub-Service-bag</p> 	<p>SP-OXY3-016 OXY3 - Battery Tray Set</p> 	<p>SP-OXY3-015 OXY3 - Battery Oring , 4PC</p> 	<p>M2x5CS-10 Hex Cap Screw M2x5, 10 PCS</p> 
<p>M2x8CS-10 Hex Cap Screw M2x8, 10 PCS</p> 	<p>M3x8CS-10 Hex Cap Screw M3x8, 10 PCS</p> 	<p>M2x6SBH-10 Self-Tapping Button Hex Screw M2x6, 10 PCS</p> 		

	<p>OSP-1146-OXY3-16T-Tail-Shaft</p> 	<p>SP-OXY3-048 OXY3 - Tail Case Hub</p> 	<p>SP-OXY3-032 OXY3 - Tail Case Cover</p> 	
	<p>OSP-1171-OXY3-ED2018 Tail-Case-Bearing-Block-Assembly</p> 	<p>OSP-1149-OXY3 Tail-Pitch-Slider,-Black</p> 	<p>SP-OXY3-033 OXY3 - Tail Bell Crank</p> 	
<p>SP-OXY3-124 OXY3 TE - Bell Crank Support , Black</p> 	<p>SP-OXY3-034 OXY3 - Tensioner Tail Belt</p> 	<p>OSP-1043 OXY4 CNC Tail Grip, Black</p> 	<p>SP-OXY3-024-OXY3 Tail Rotor Hub - Spare Part</p> 	<p>OSP-1043 OXY4 CNC Tail Grip, Black</p> 

<p>OSP-1144-OXY3 ED2018-Tail-push-rod-285-Main-Blade-kit</p> 	<p>OSP-1212-OXY3 285 - Tail Boom Spare, 2Pcs</p> 	<p>SP-OXY3-108 OXY3 - 285 Stretch - Tail Belt Spare</p> 	<p>SP-OXY3-025 OXY3 - Tail Rotor - Service Bag</p> 	<p>SP-OXY3-080 OXY3 - Tail Shaft 15T</p> 
<p>SP-OXY3-058-3 OXY3 - Tail Blade 47mm - Black</p> 	<p>SP-OXY3-059-3 OXY3 - Tail Blade 50mm - Black</p> 	<p>SP-OXY3-028-OXY3 Tail Pitch Slider - Service Bag</p> 	<p>SP-OXY3-045 OXY3 - Tail Servo Mount, Set</p> 	<p>OSP-1172-OXY3 ED2018-Vertical-Fin</p> 
				